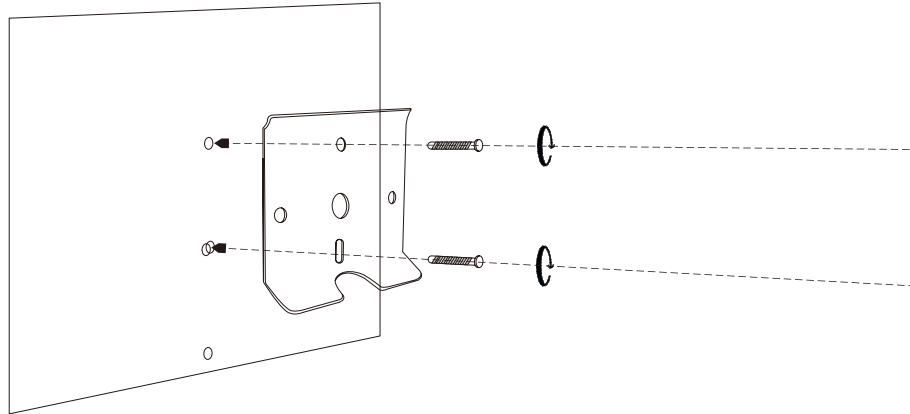


WALL MOUNTED MAKEUP MIRROR

Installation Instructions

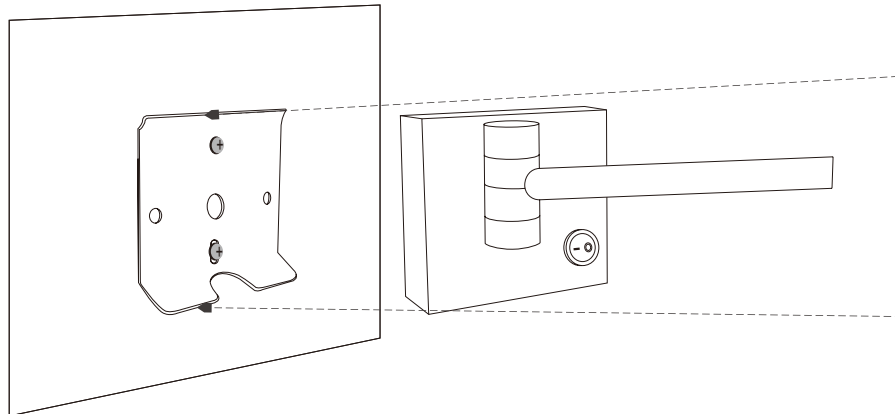


1.



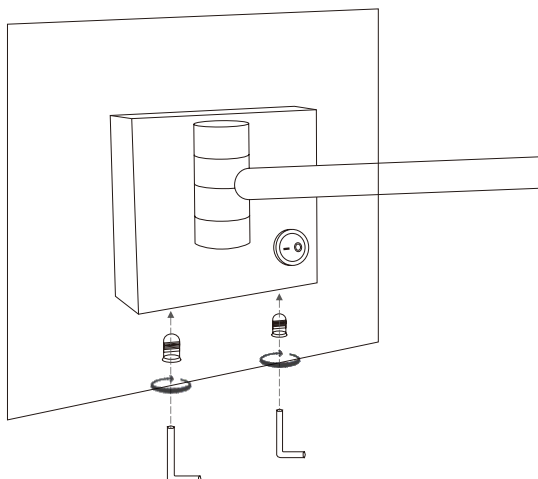
FIRST: SET THE PUNCHING DISTANCE ON THE WALL ACCORDING TO THE HOLE POSITION OF THE FILM AND PUNCH THE HOLES.

2.



SECOND : ATTACH THE FILM TO THE WALL AND TIGHTEN THE SCREWS TO FIX THE FILM, AND INSTALL THE MIRROR BASE.

3.



FINALLY : TIGHTEN THE HEX SCREW UPWARDS UNDER THE BASE TO COMPLETE THE INSTALLATION.