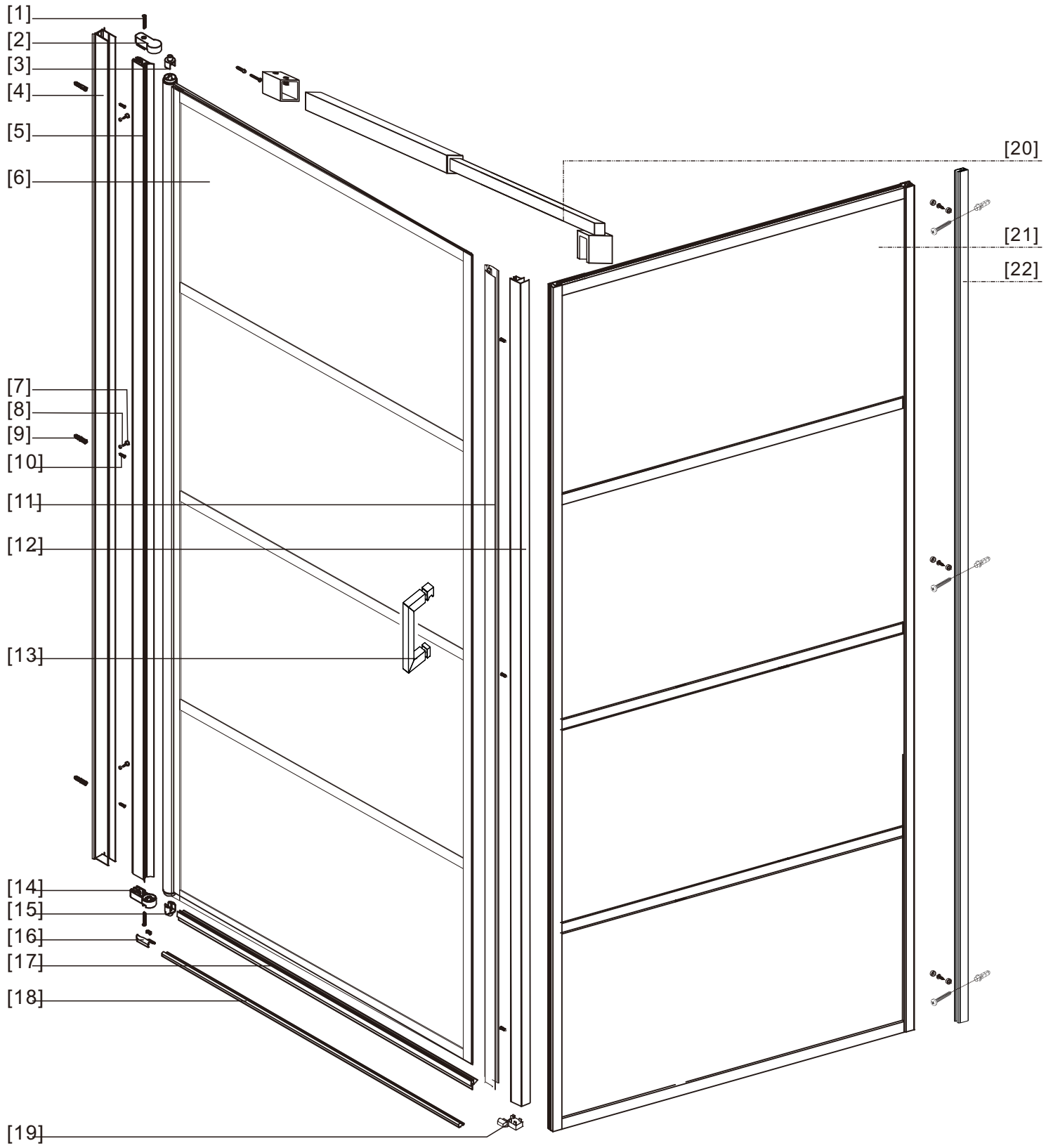
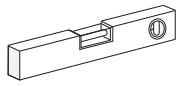



H3035+B6057

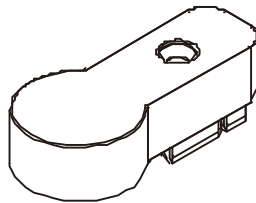
◆ Assembly Drawing

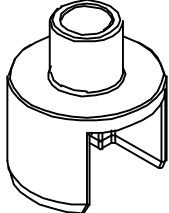


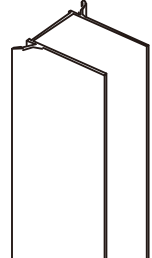


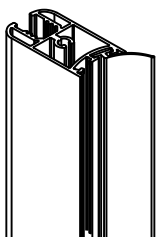
◆ Box Contents

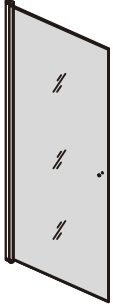
1

 3.5X32 X2

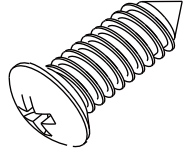
2

 X1

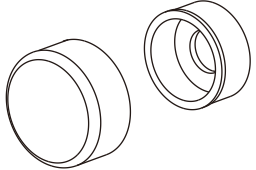
3

 X1

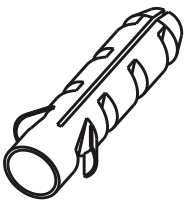
4

 X1


5

 X1


6

 X1

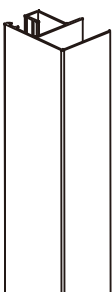
7

 3.5X9.5 X9

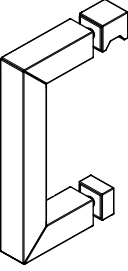
8

 X6

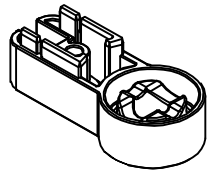
9

 X7

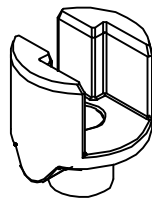
10

 3.5X32 X7

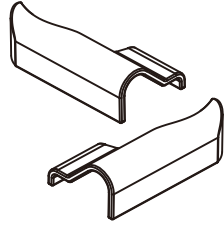
11

 X1

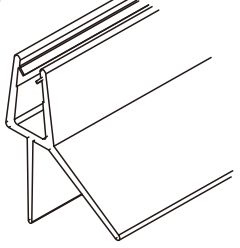
12

 X1

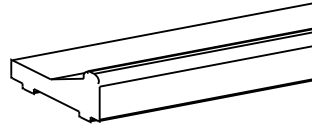
13

 X1

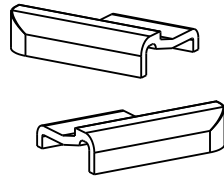
14

 X1

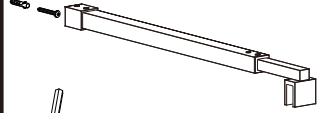
15

 X1

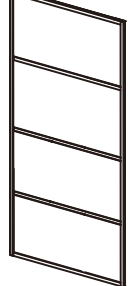
16

 X2

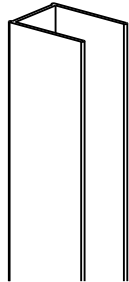
17

 X1

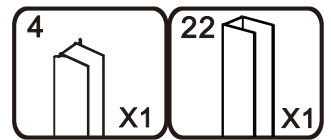
18

 X1

19

 X1

20

 SW 4 X1

21

 X1

22

 X1



◆ Installation Steps

1

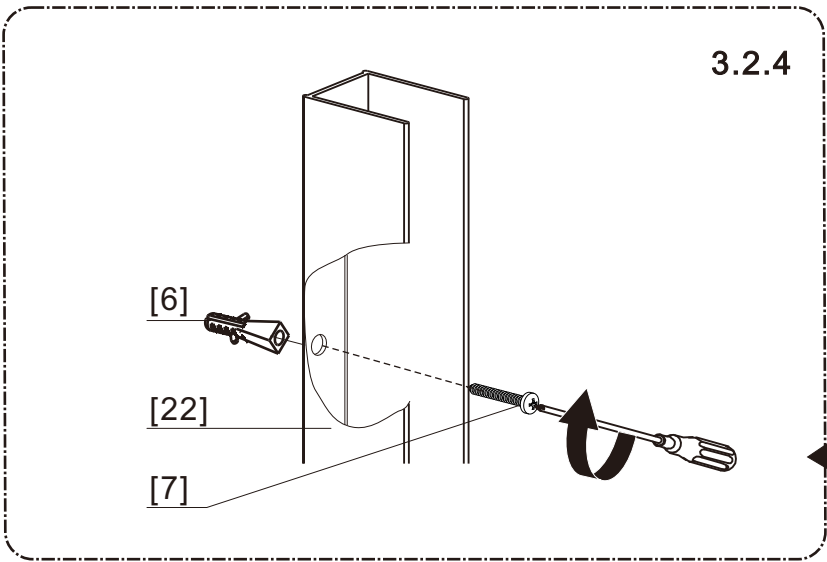
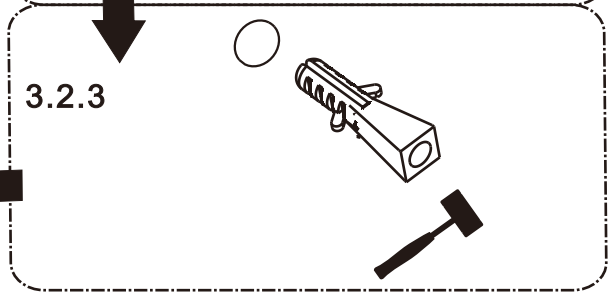
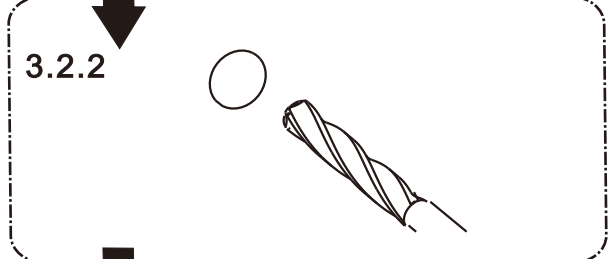
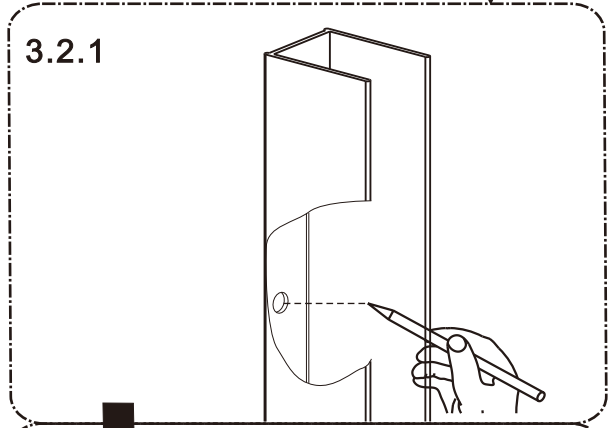
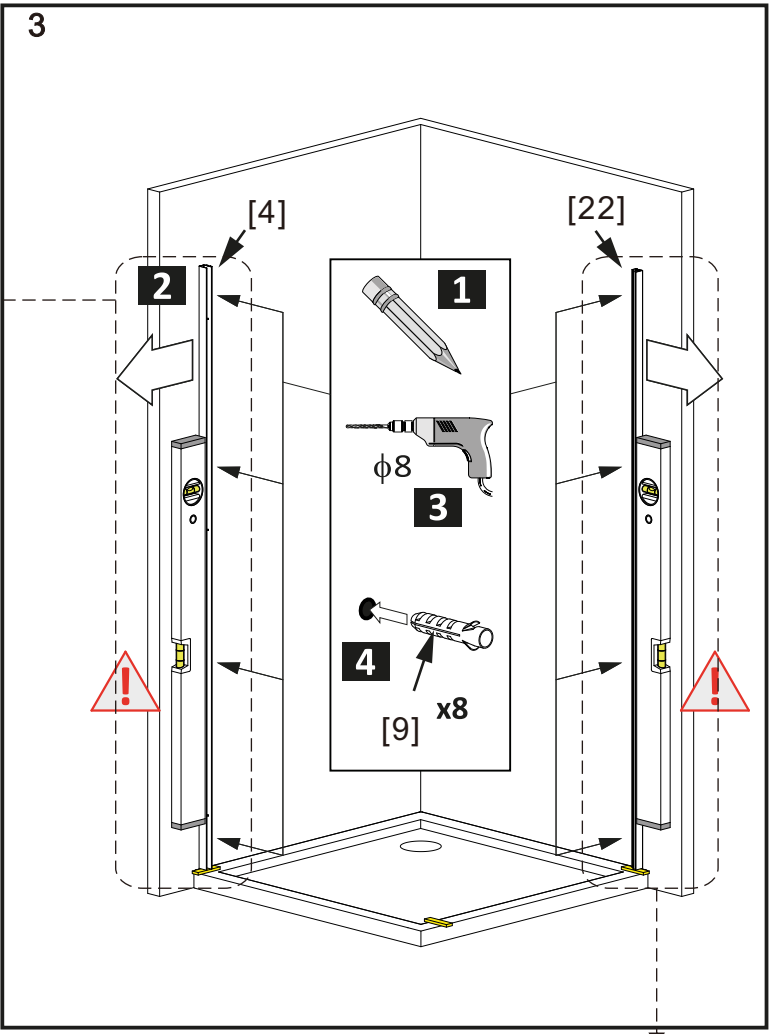
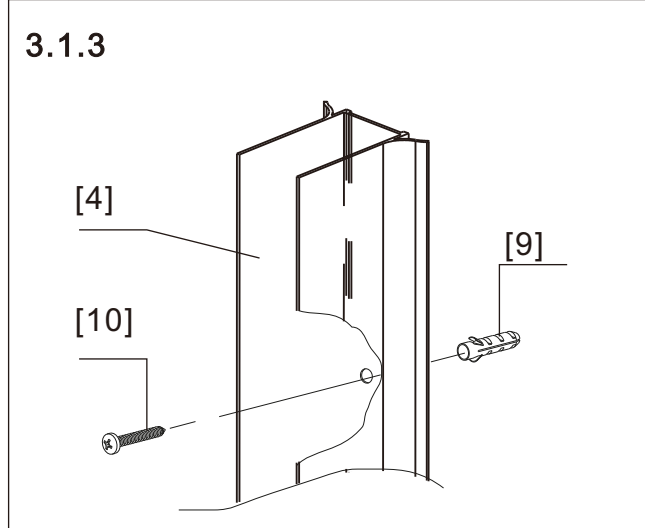
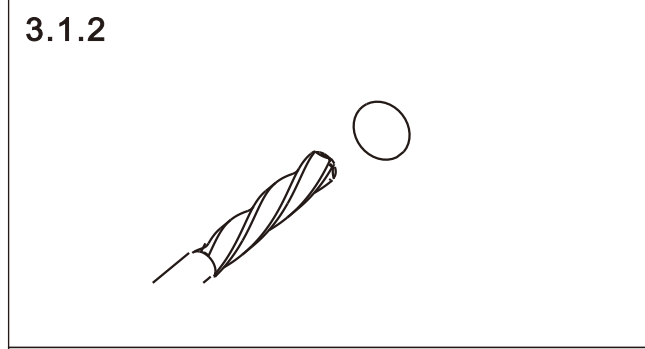
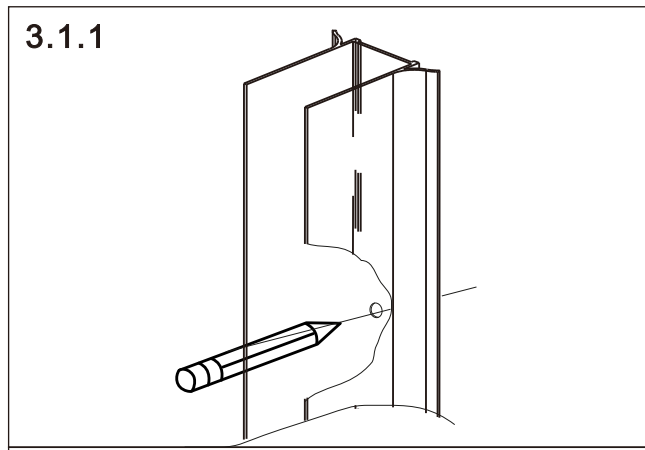
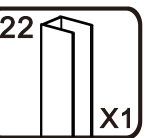
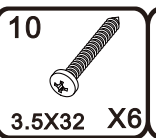
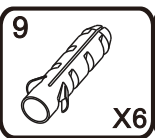
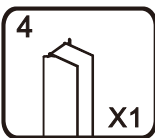
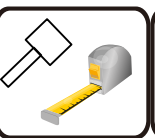
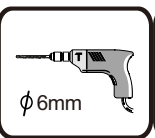
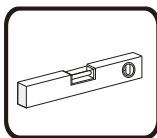
NES KDJ I	800	900	1000
A1	785-805	885-905	985-1005
A2	785-795	885-895	985-995

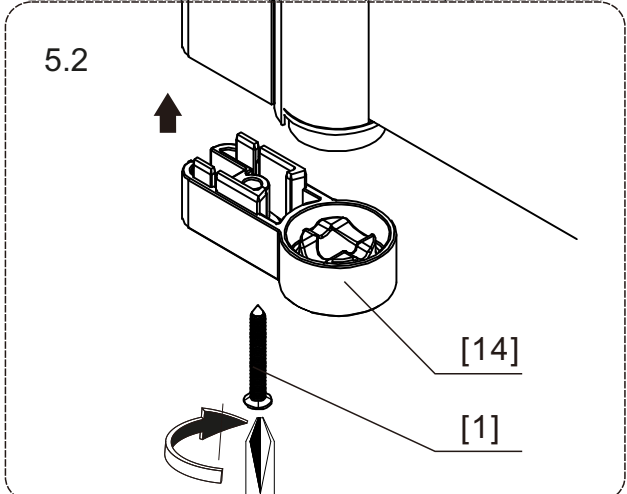
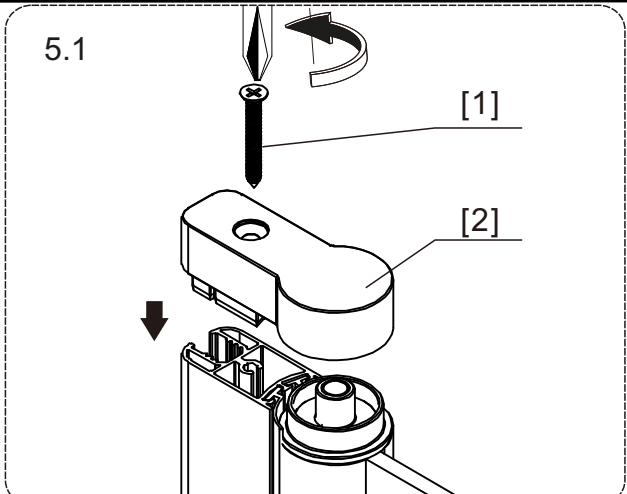
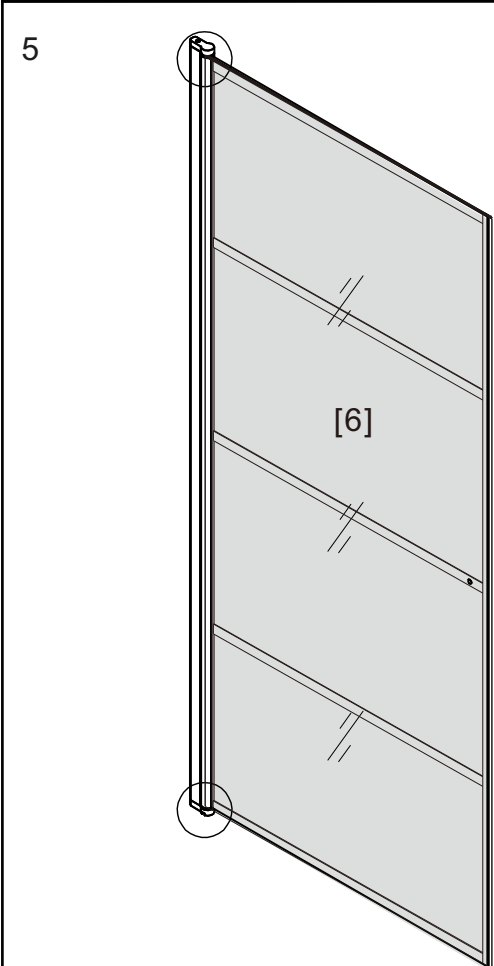
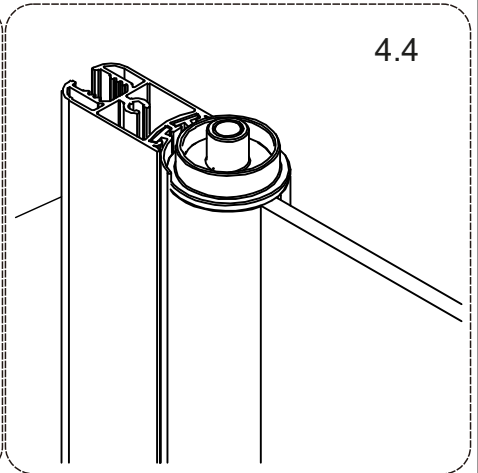
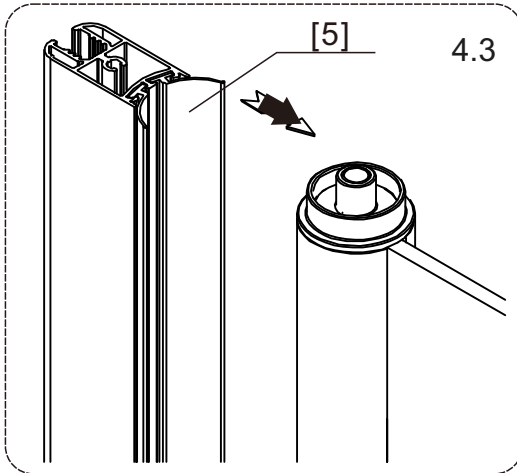
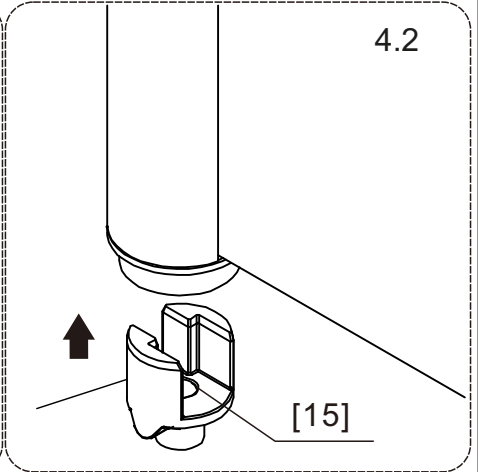
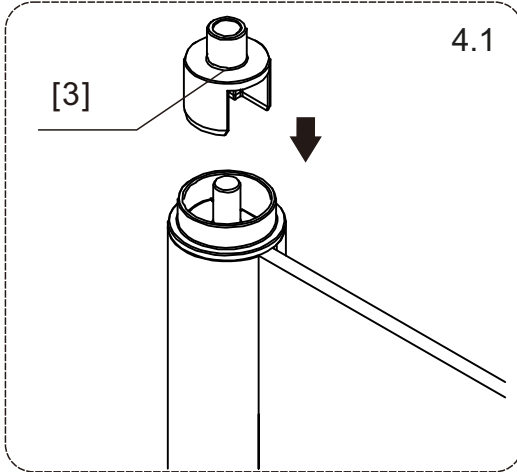
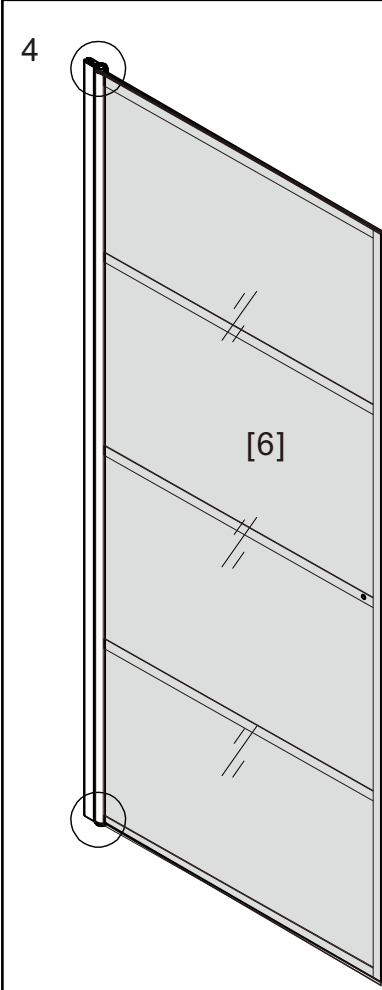
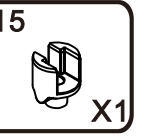
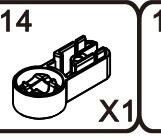
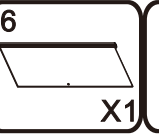
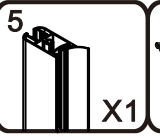
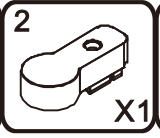
2

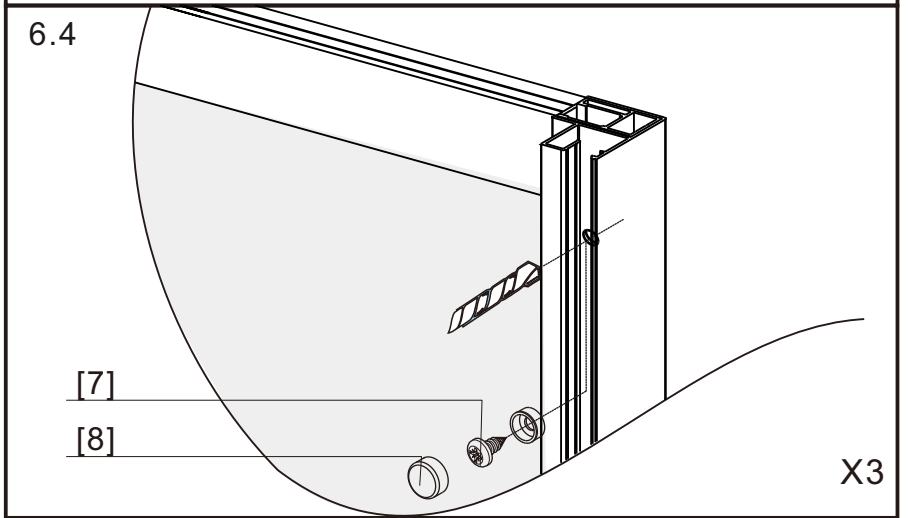
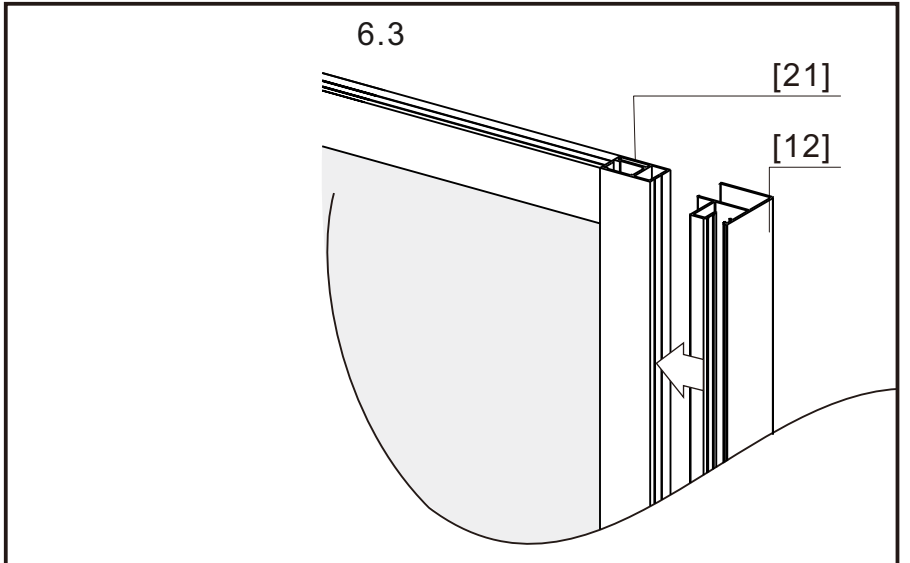
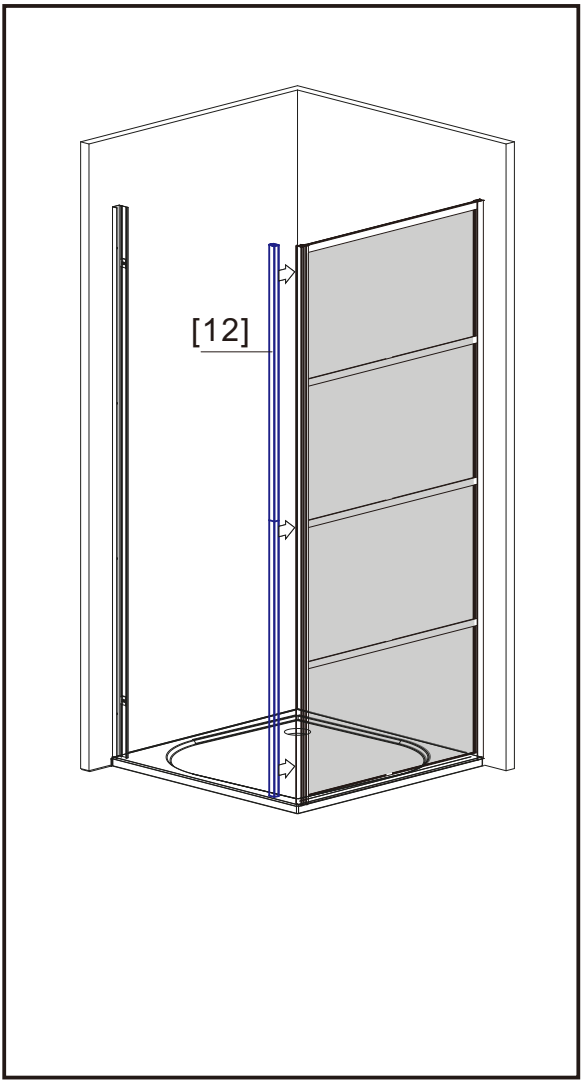
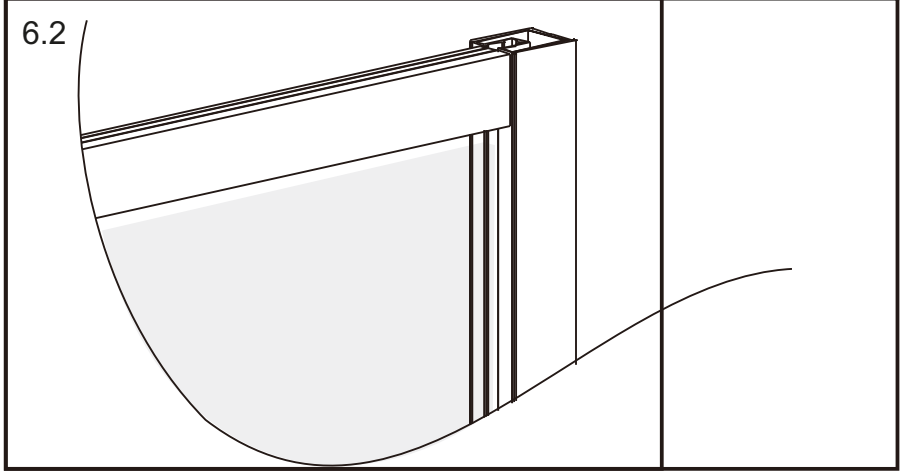
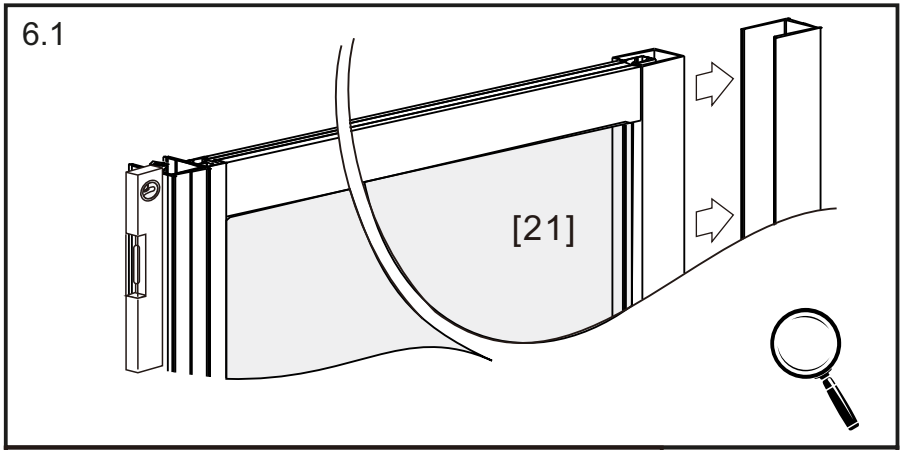
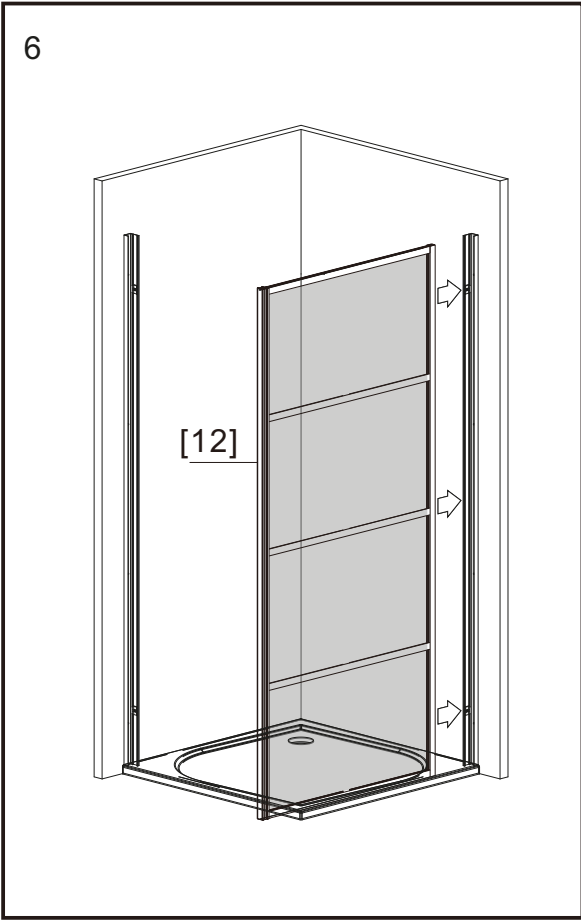
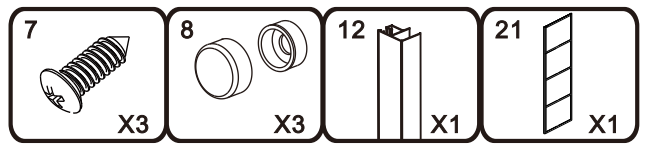
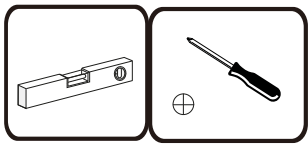
NES KDJ	800	900	1000
K	785	885	985
L	785	885	985

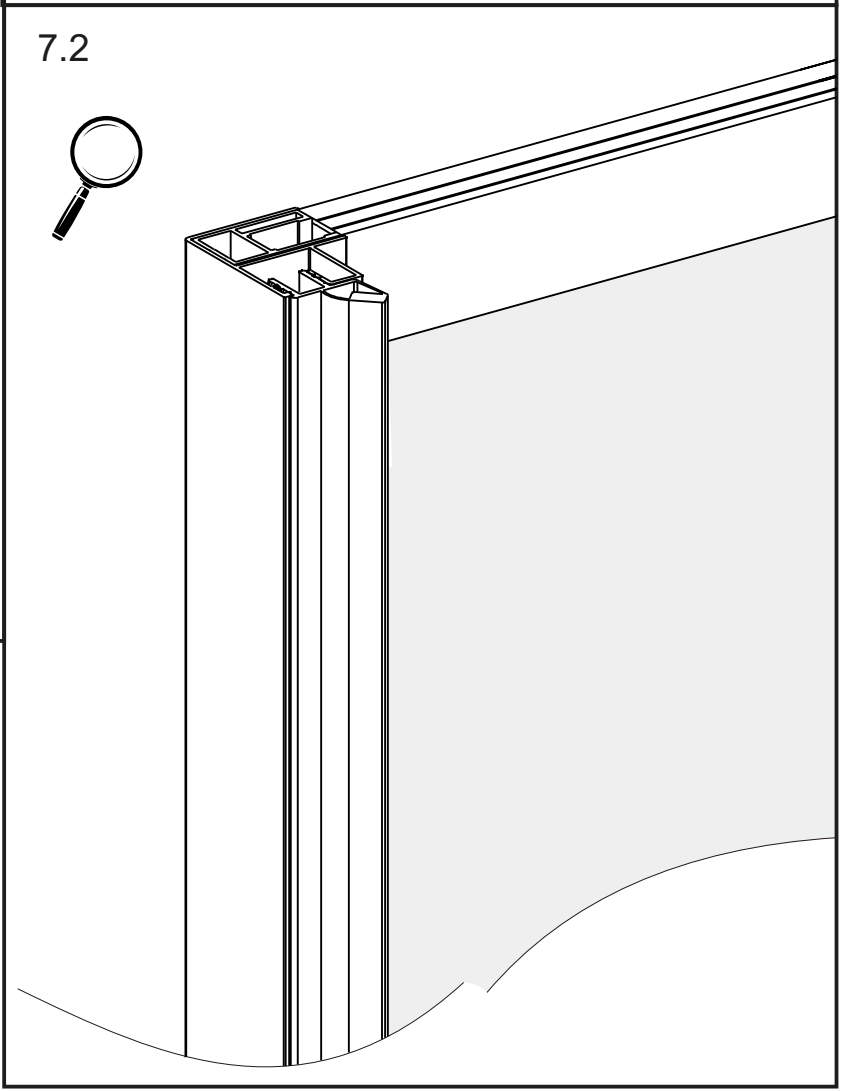
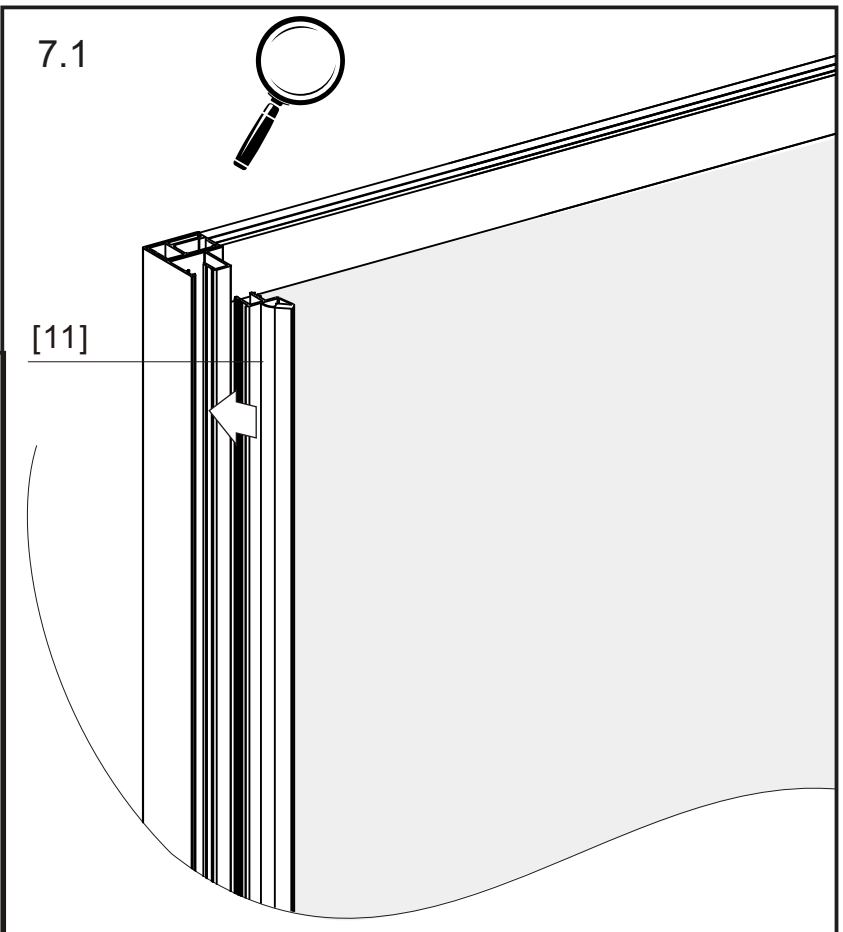
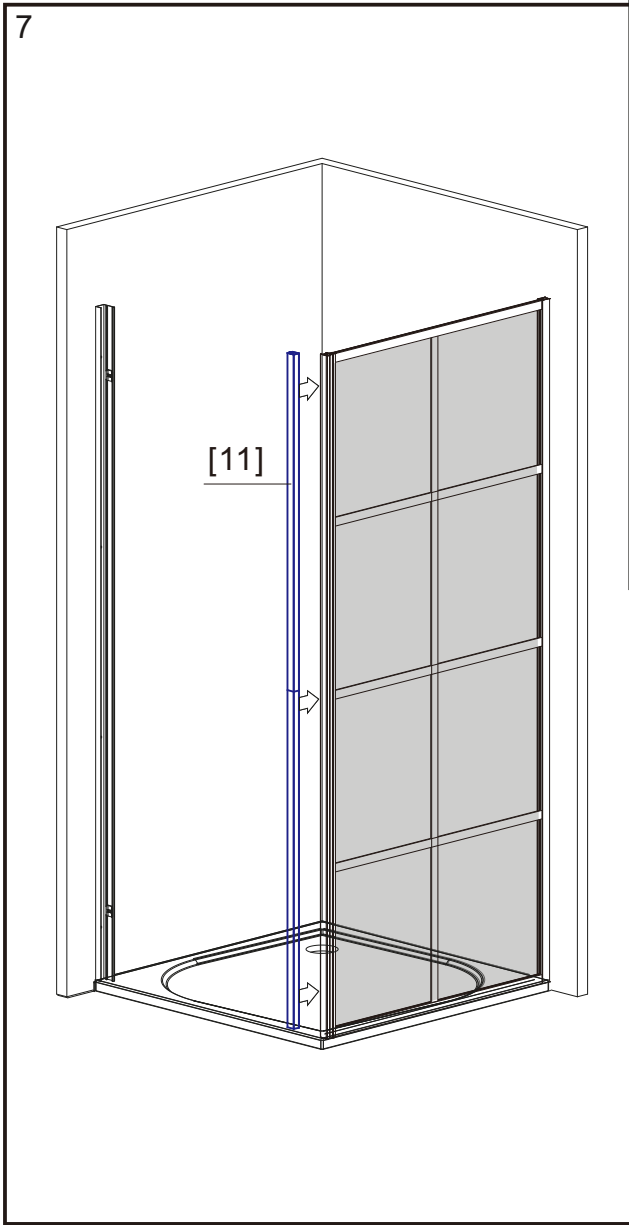
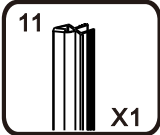
1.1

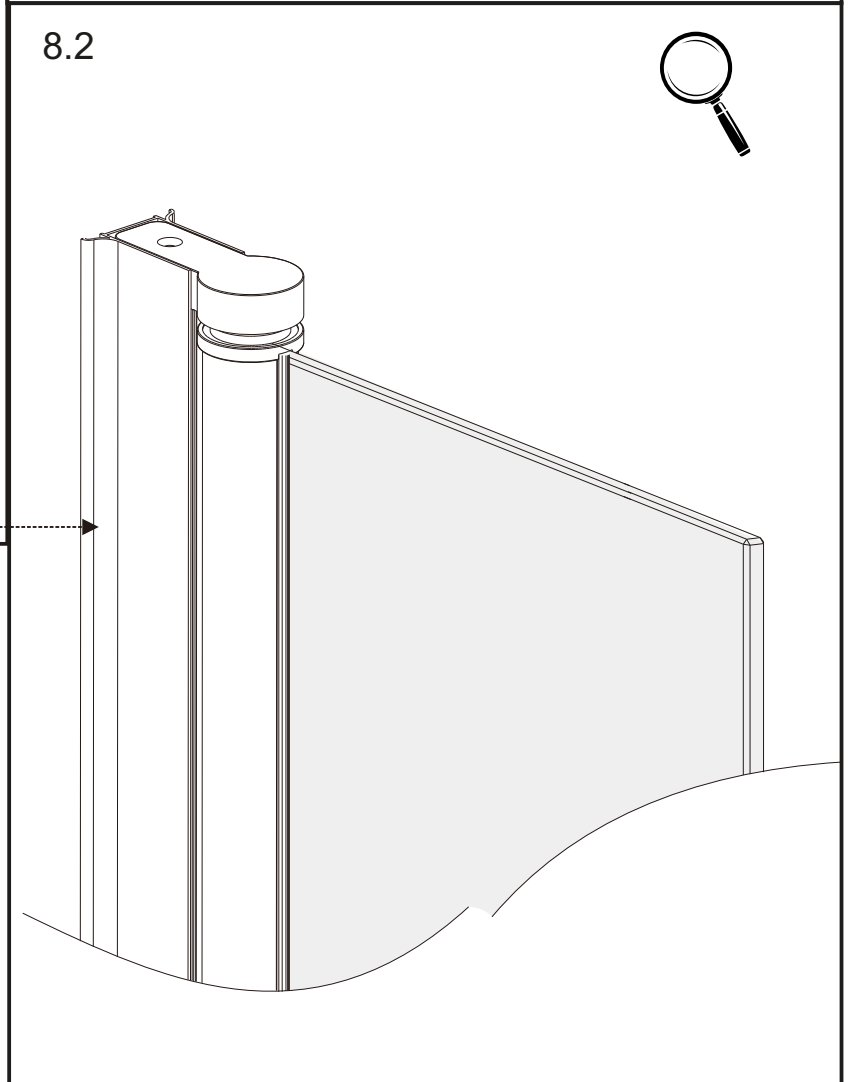
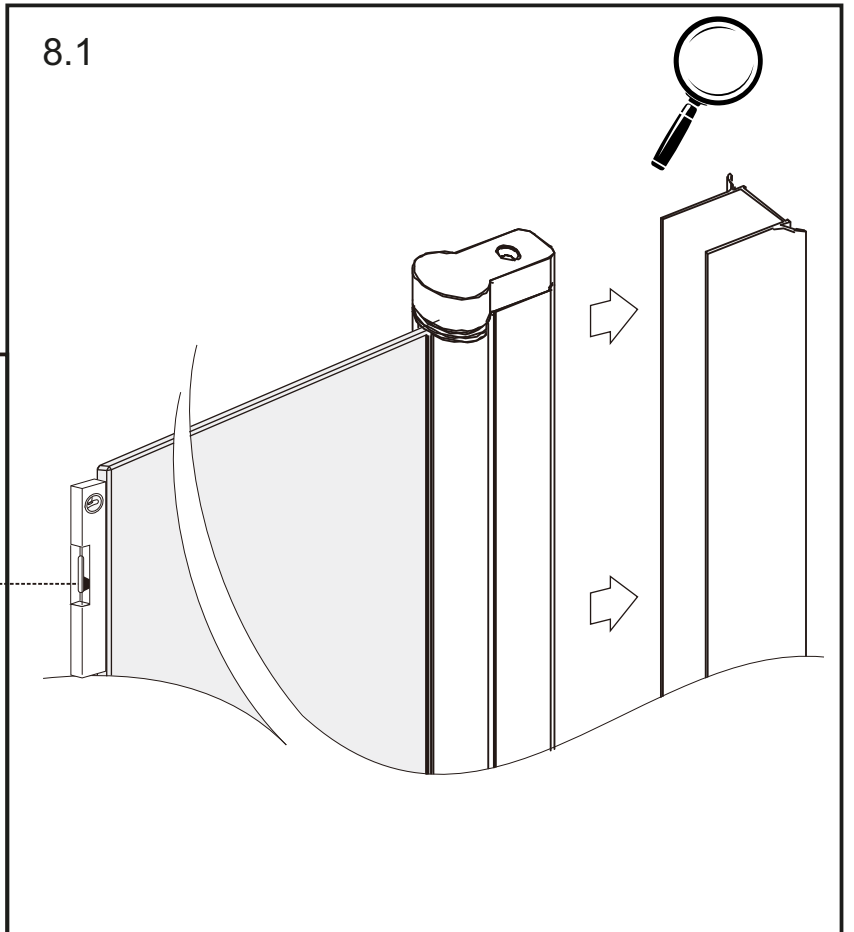
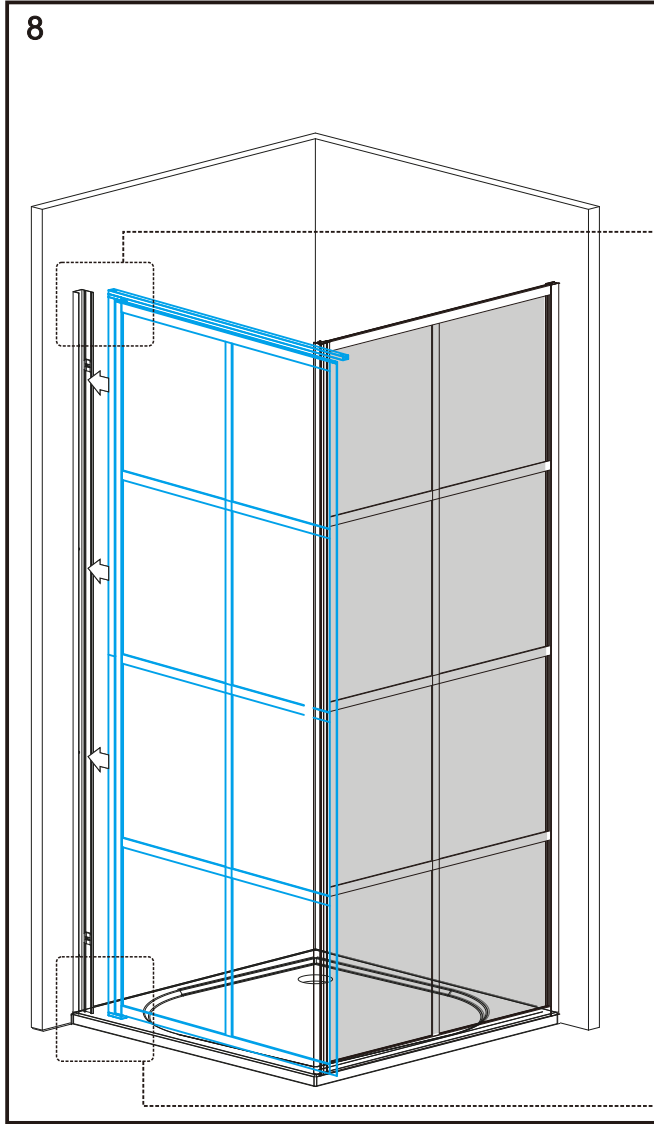
2.1

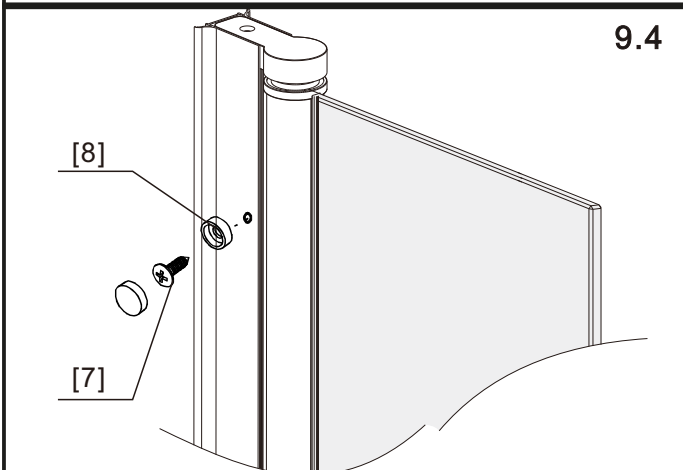
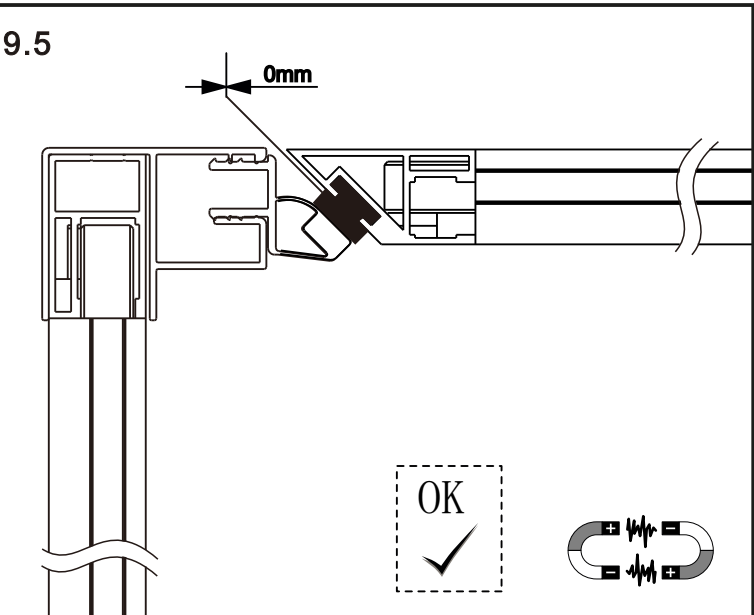
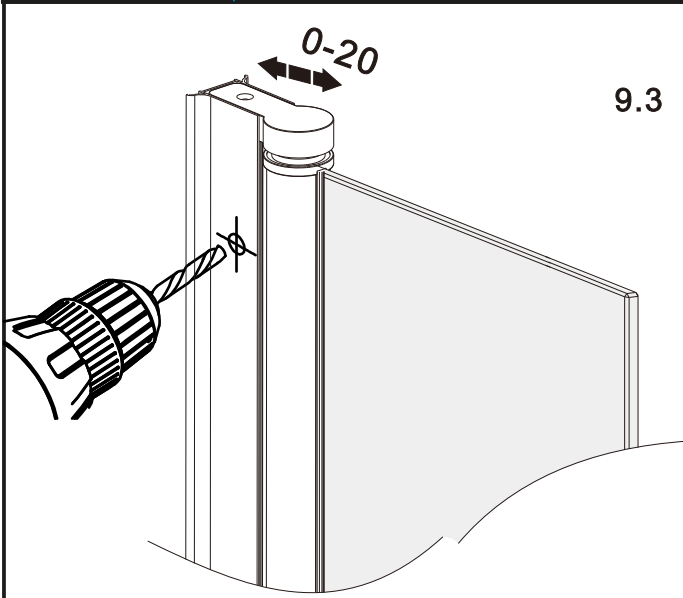
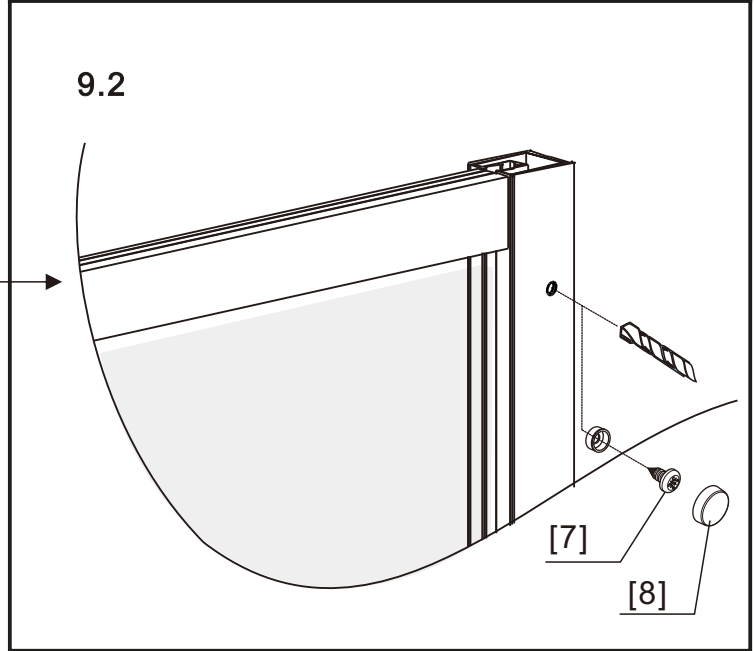
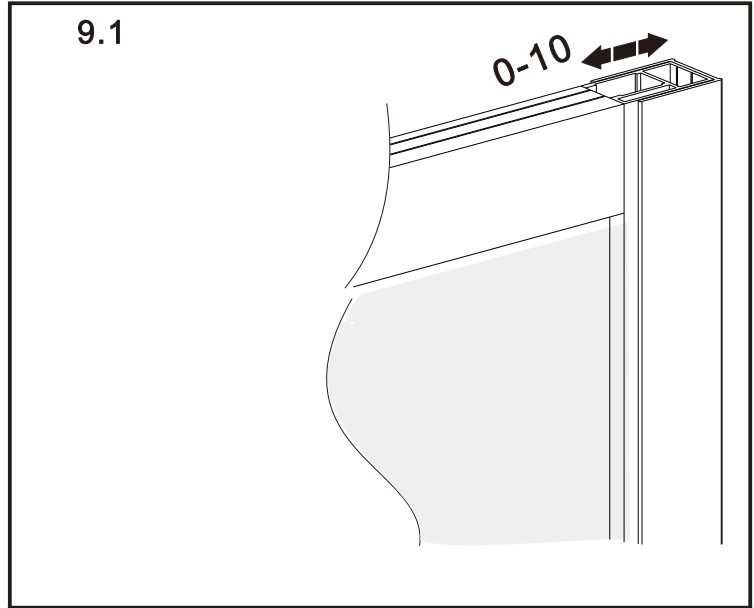
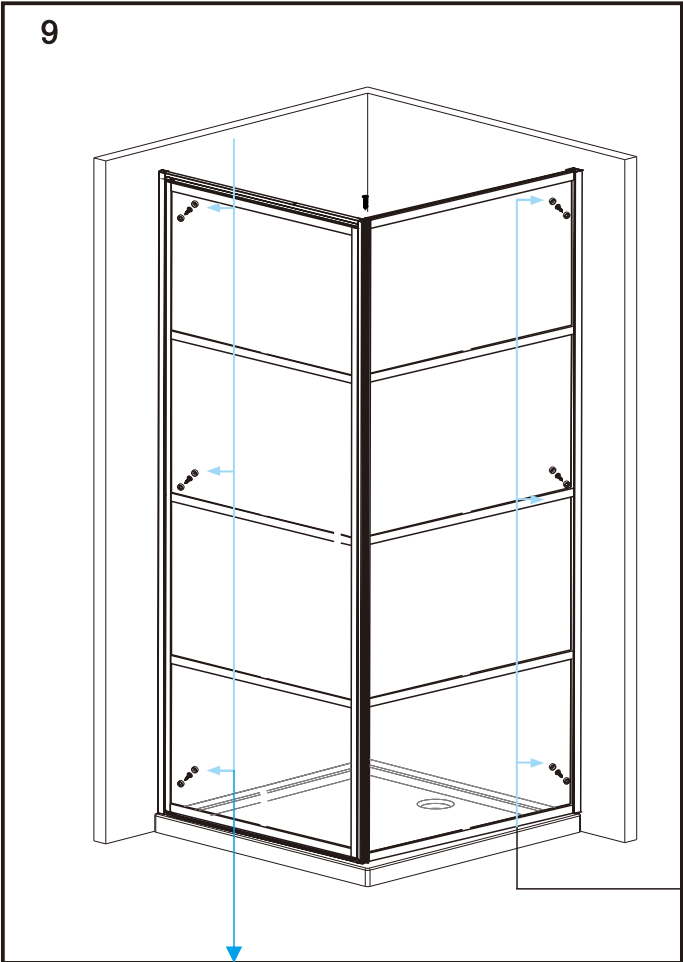
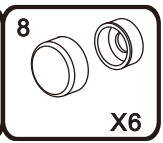
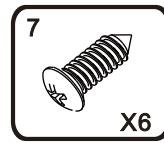
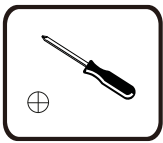


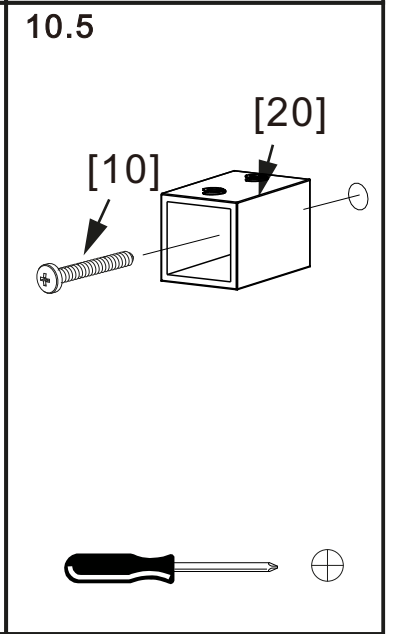
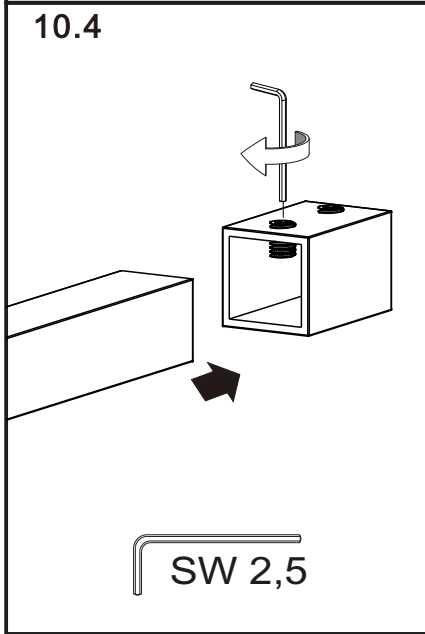
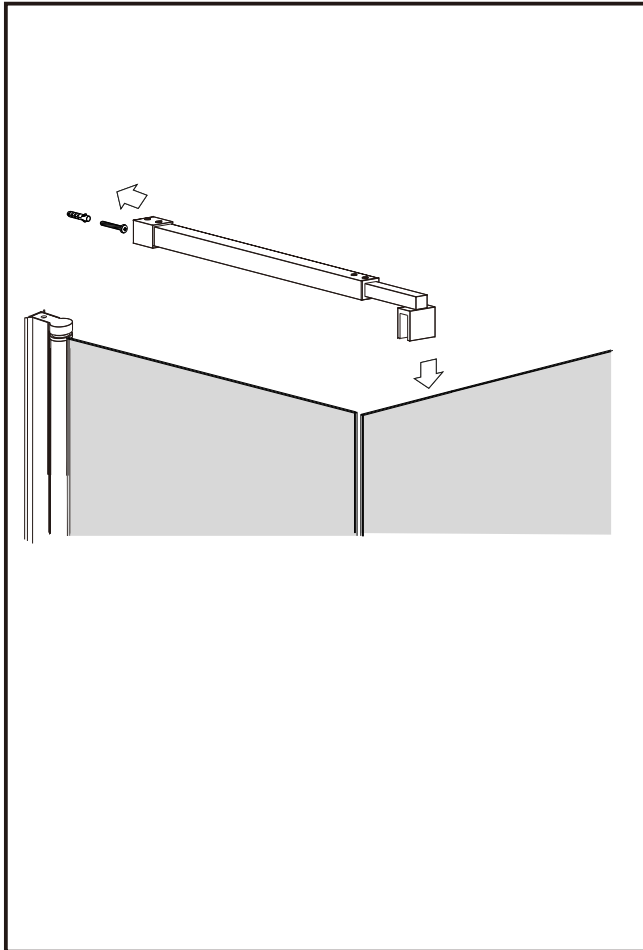
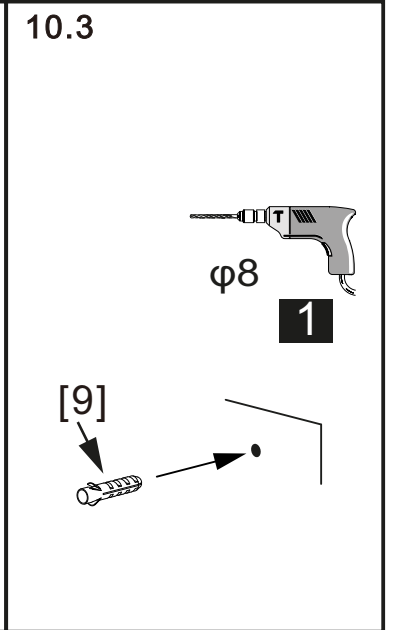
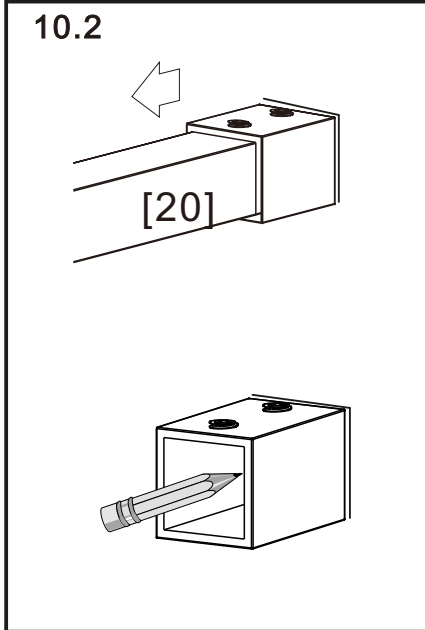
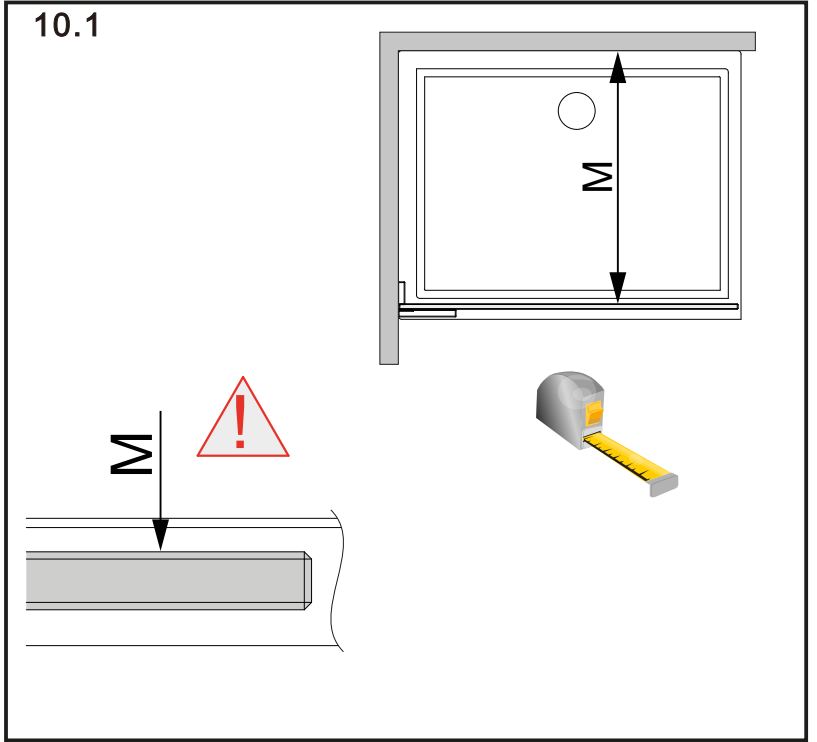
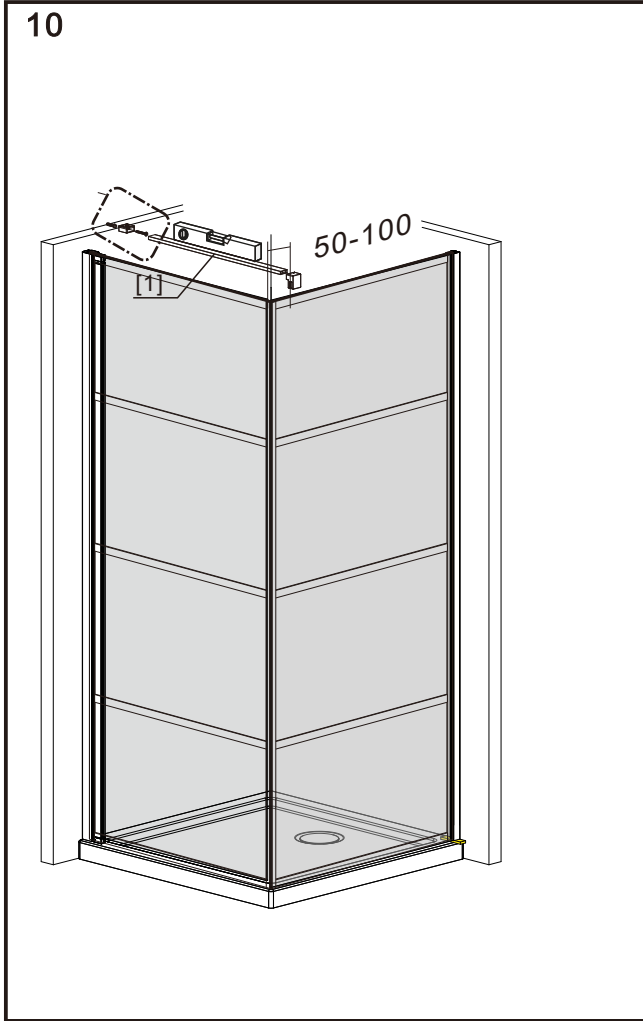
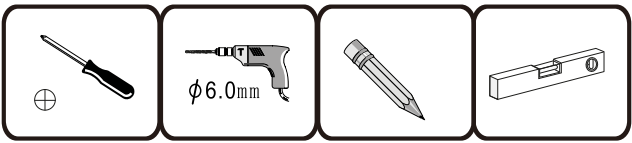




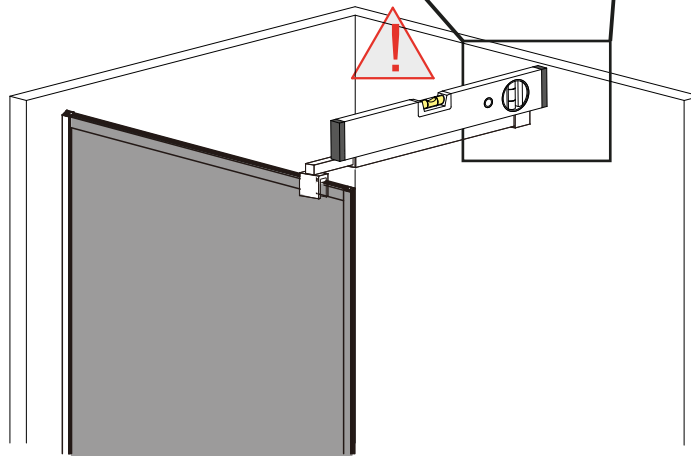
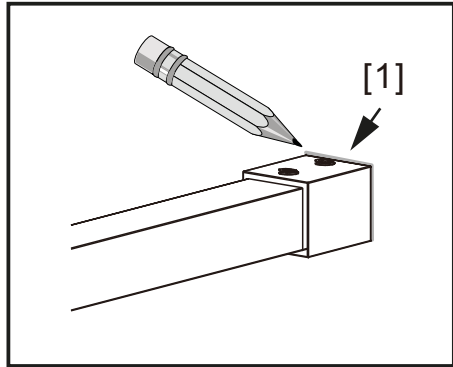




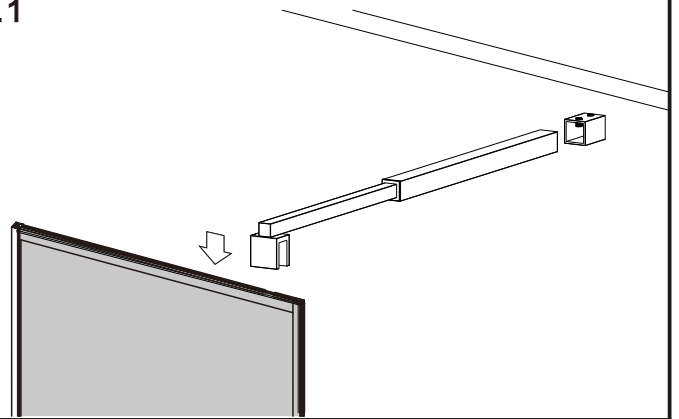




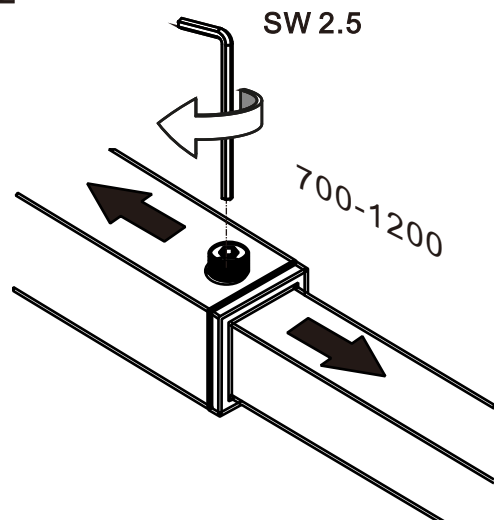
11



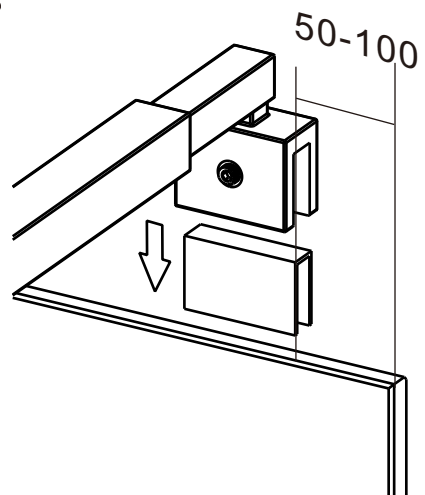
11.1



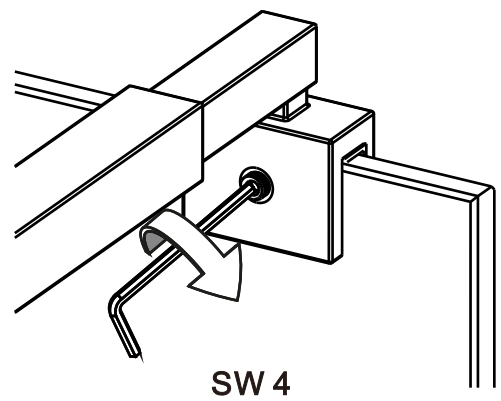
11.2

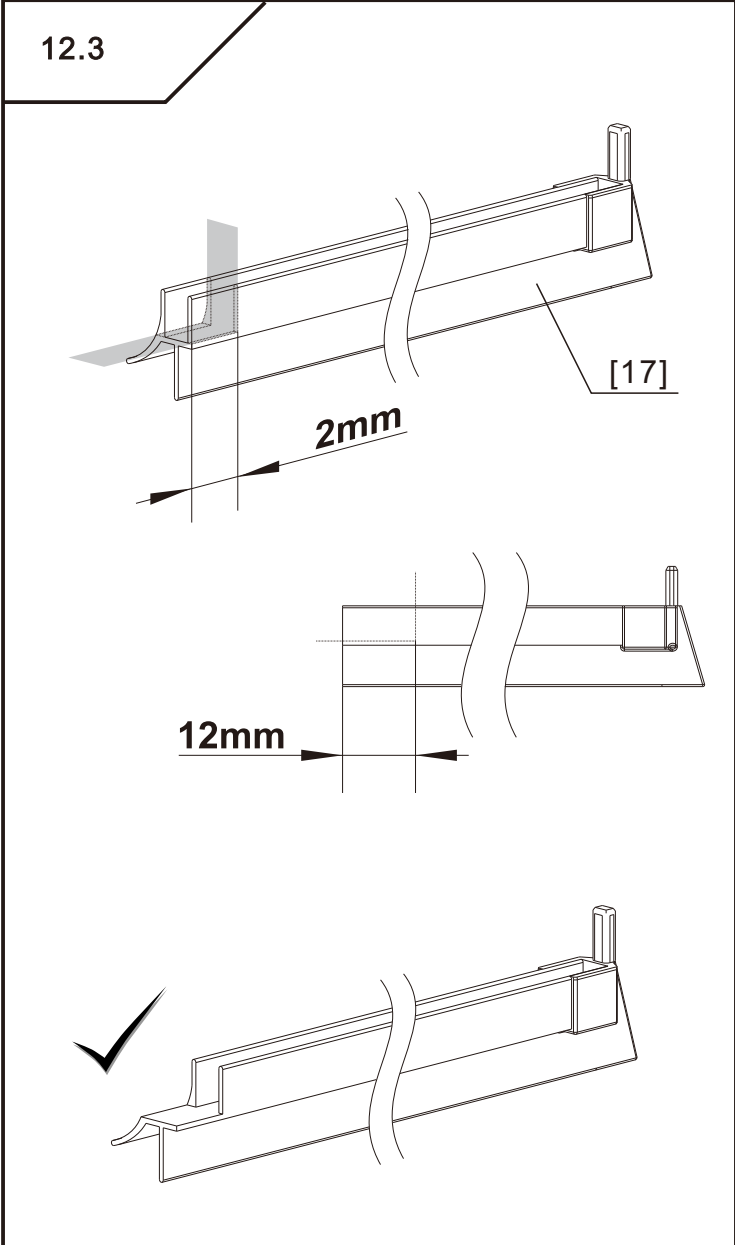
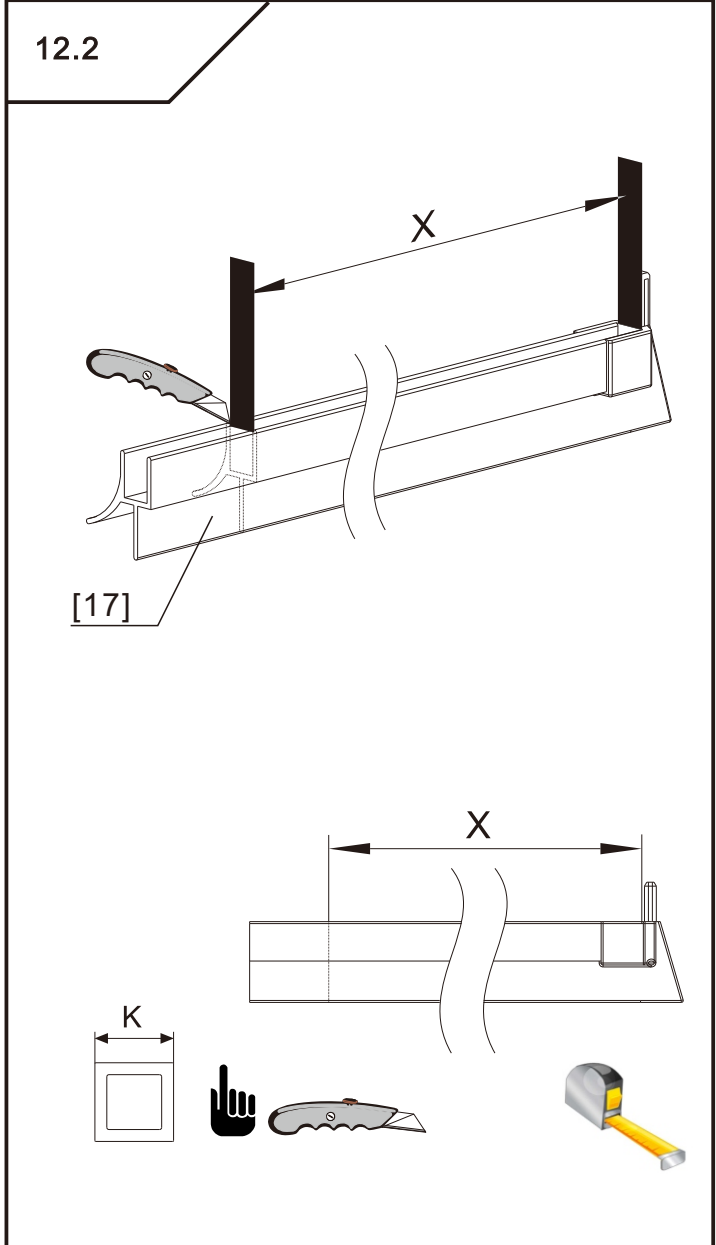
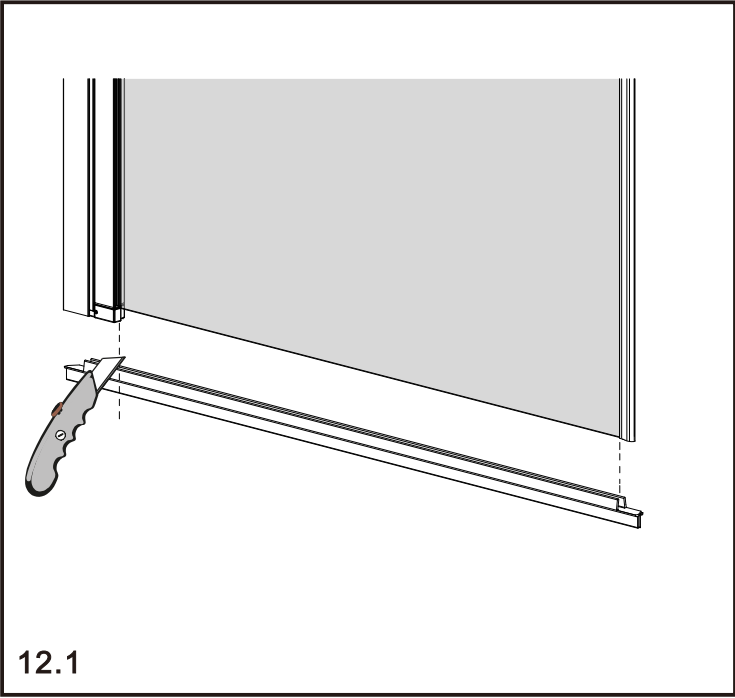
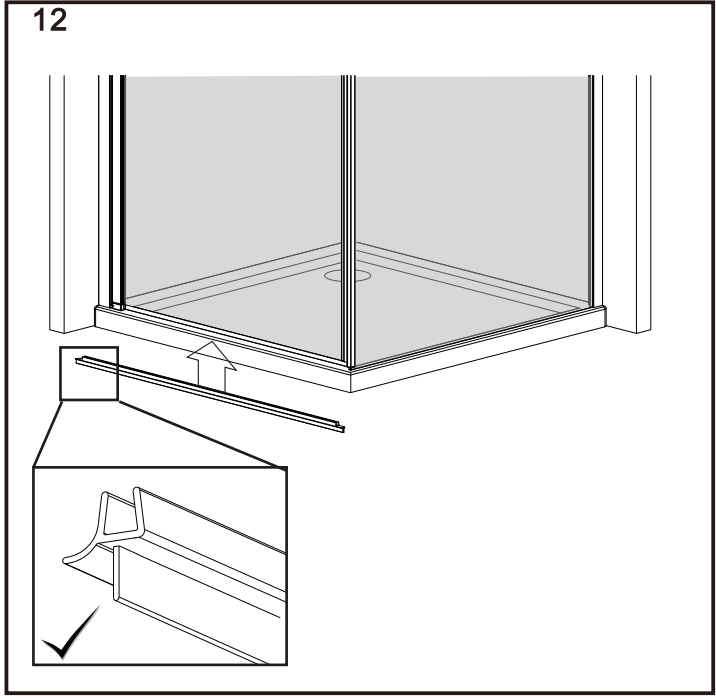


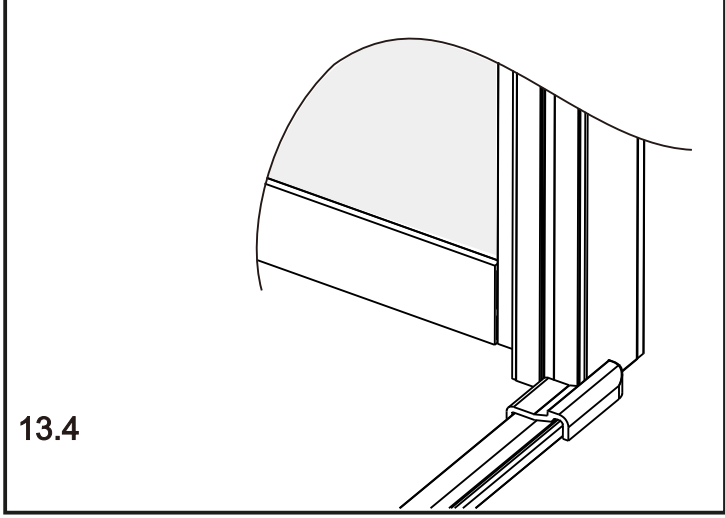
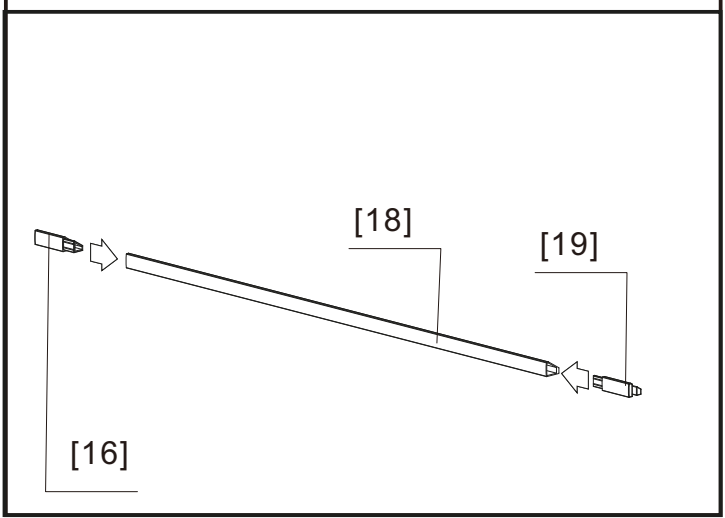
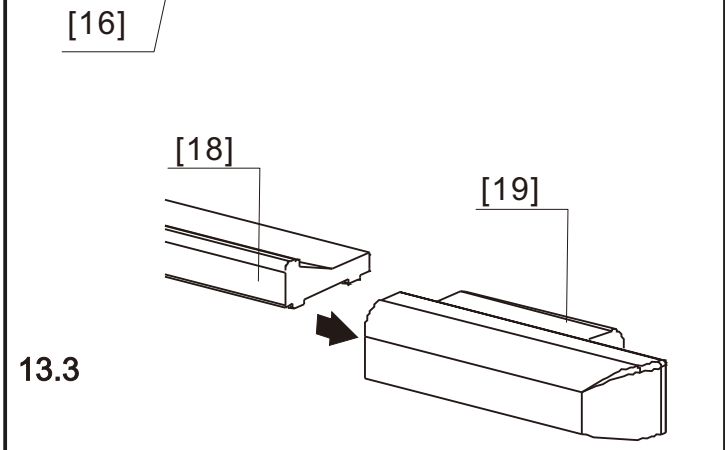
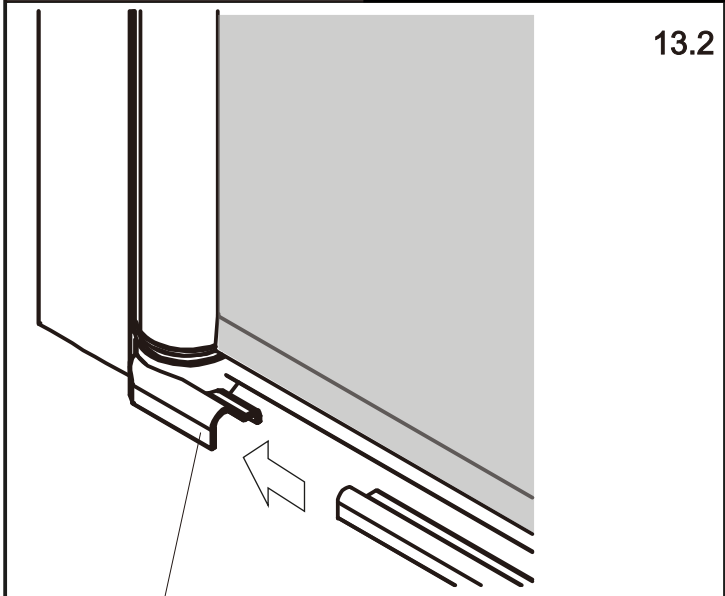
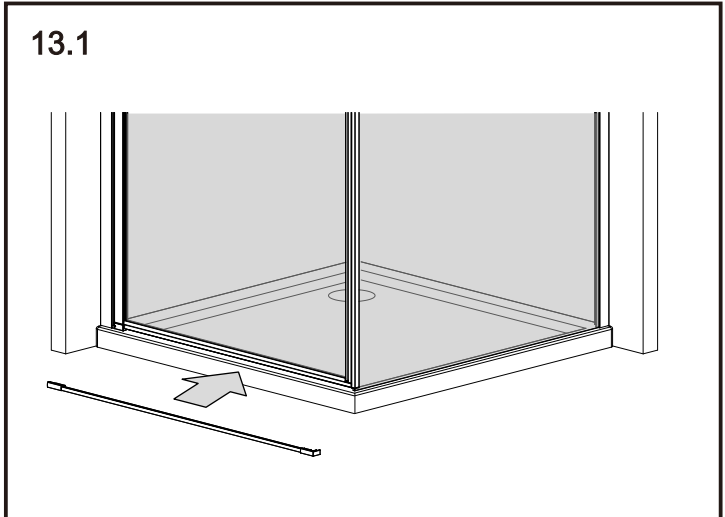
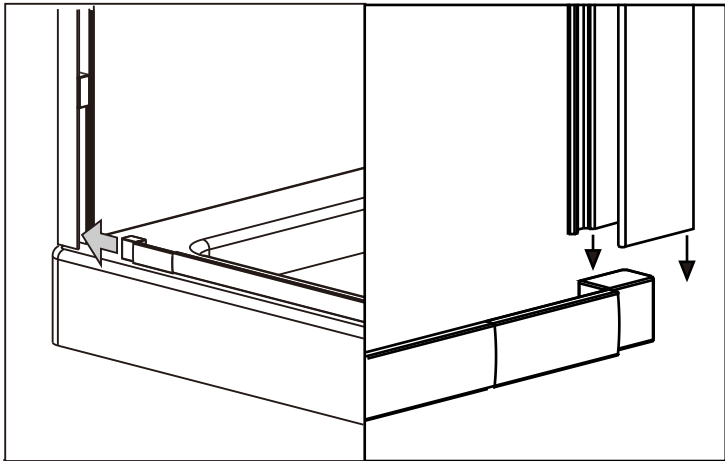
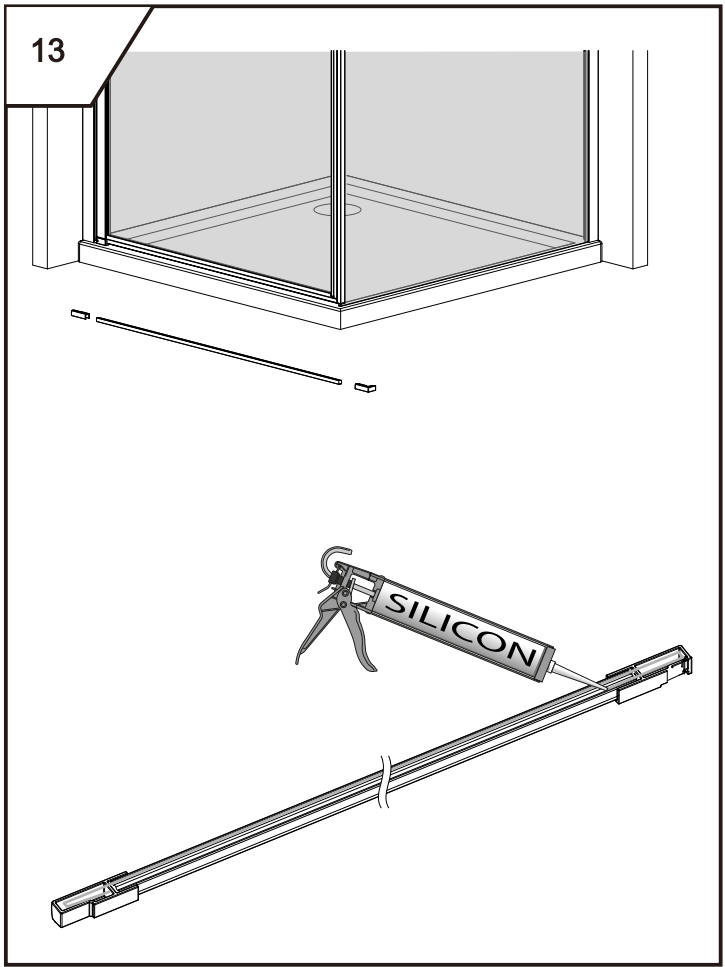
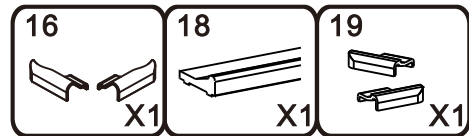
11.3

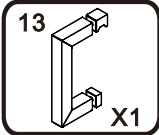


11.4

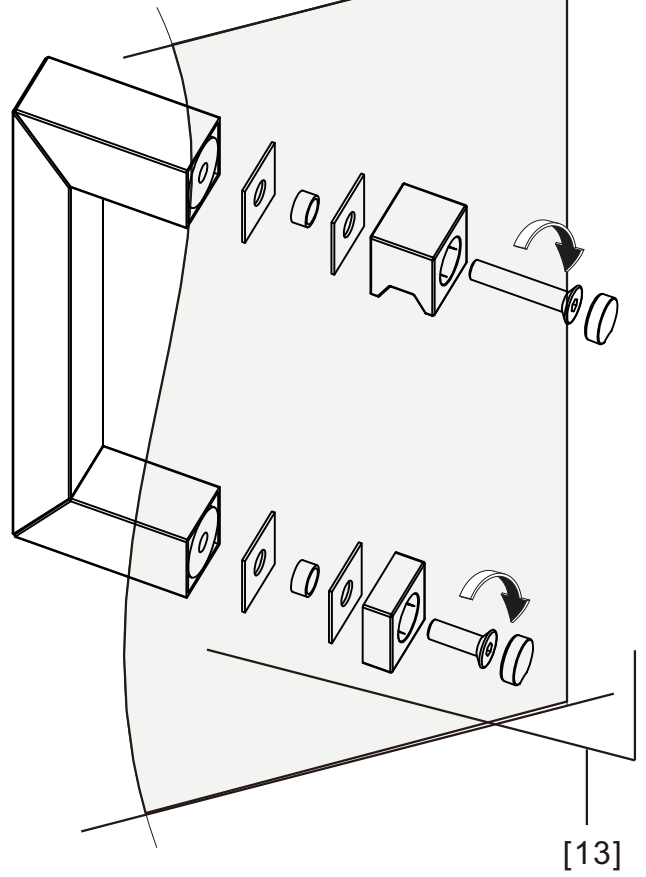




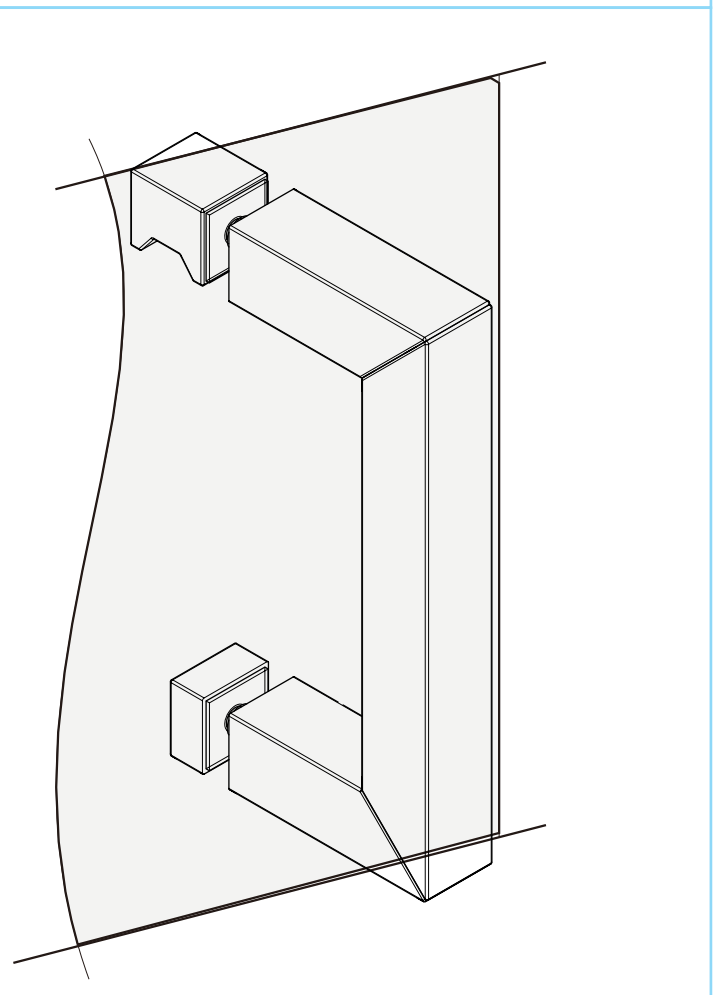
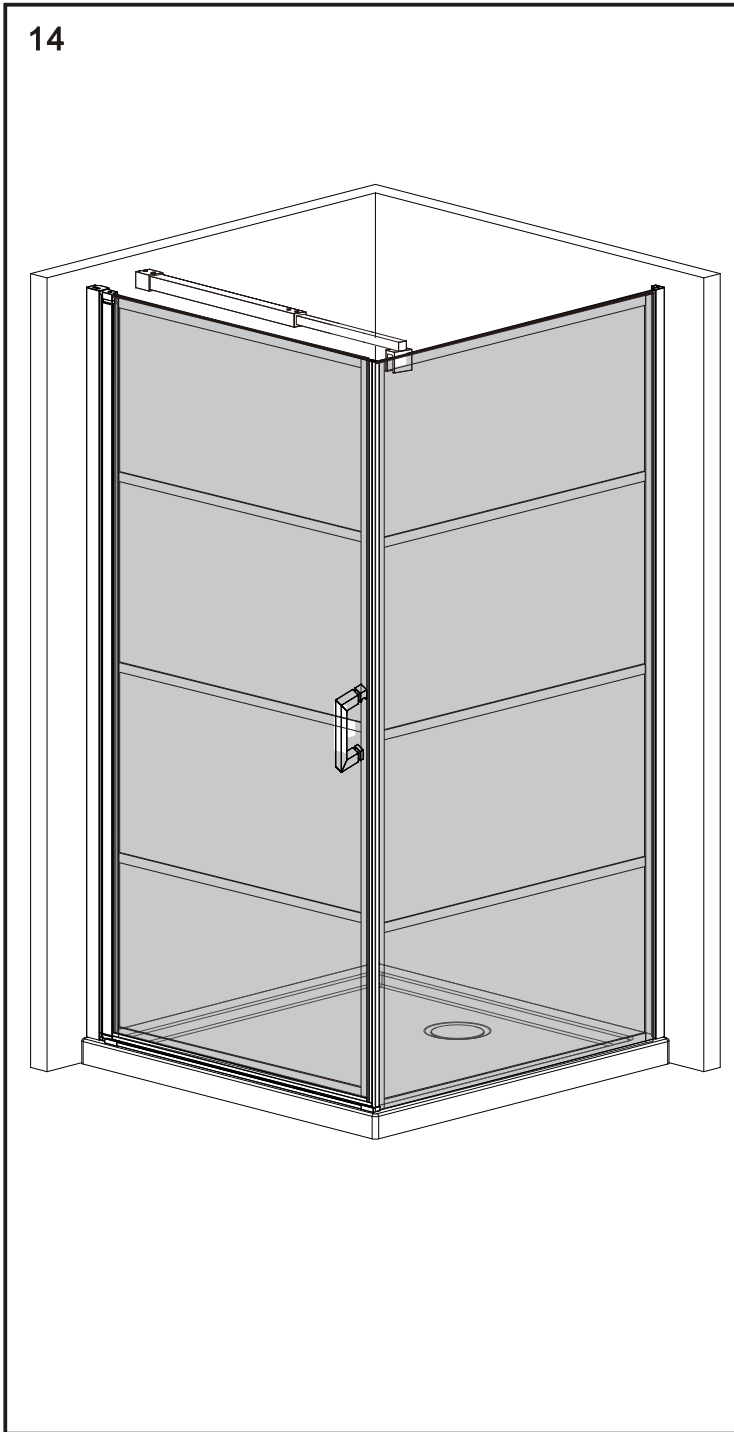


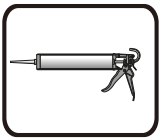


14.1

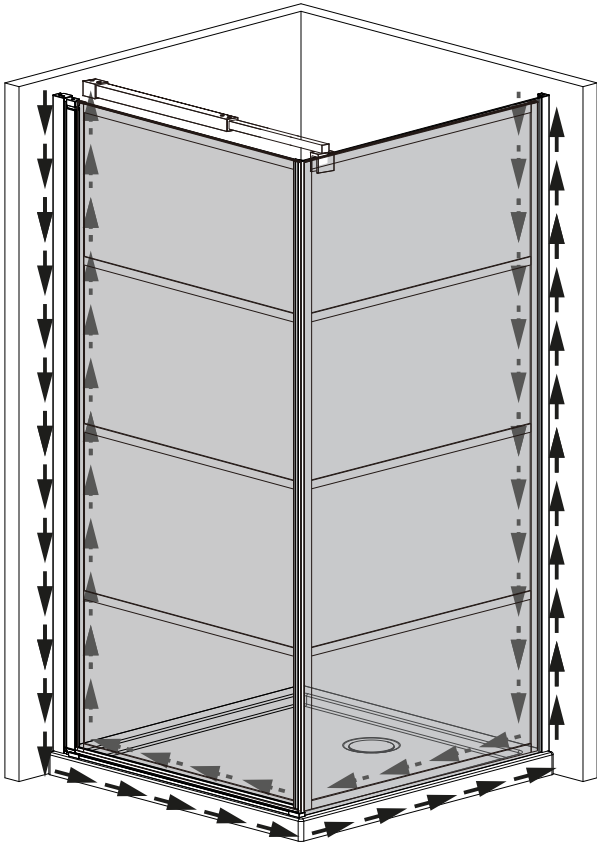


14

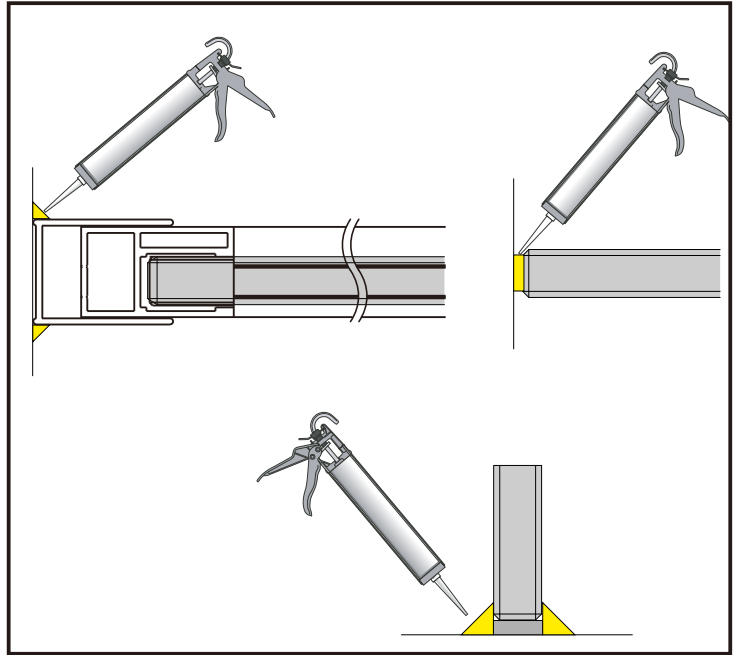
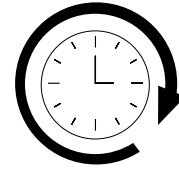




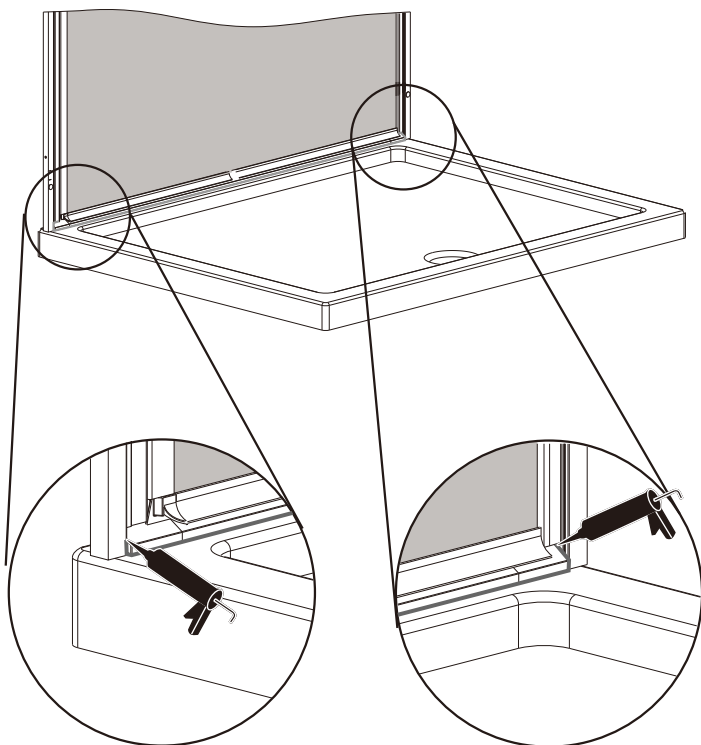
15



24h



15.1



15.2

