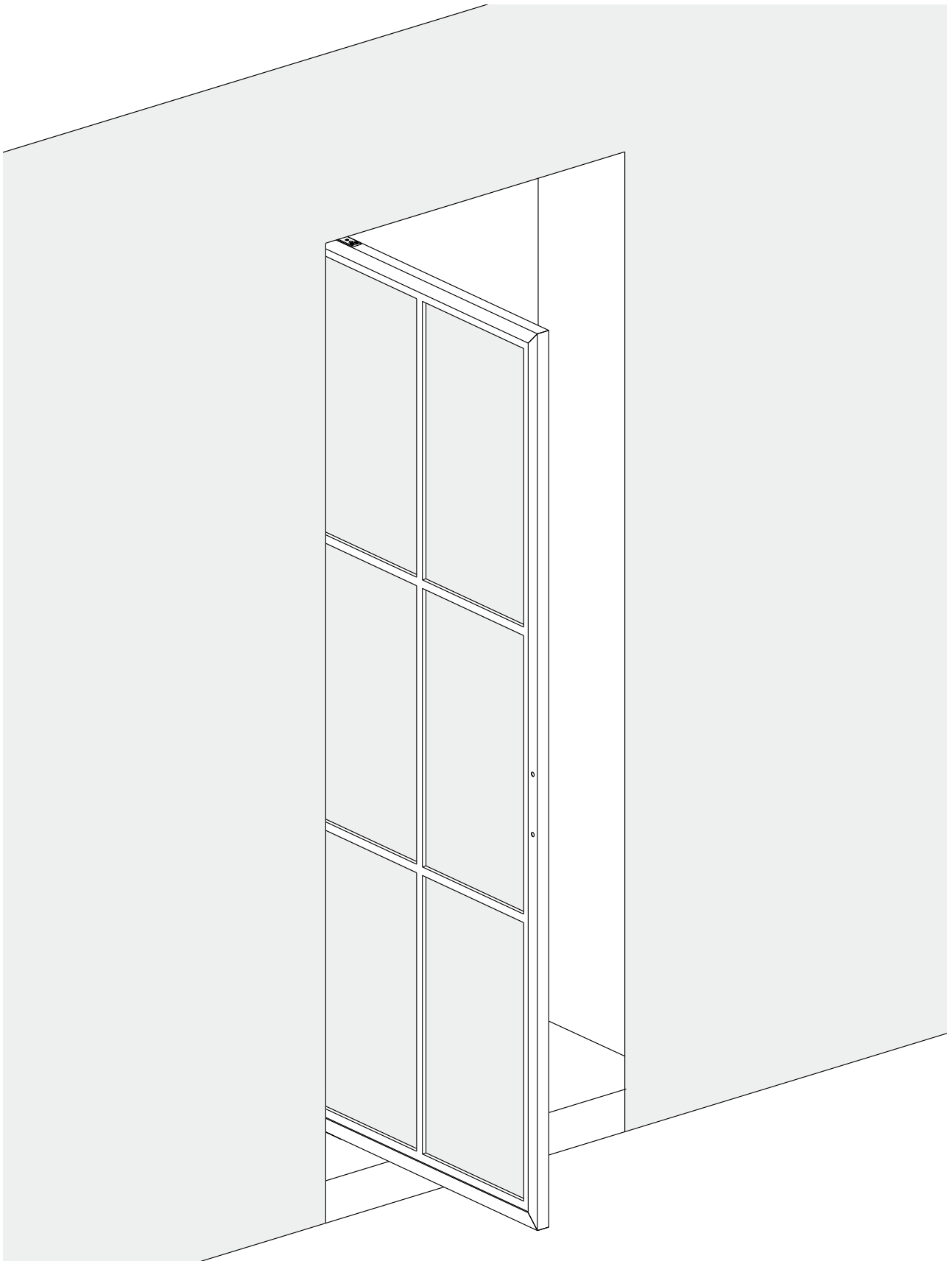
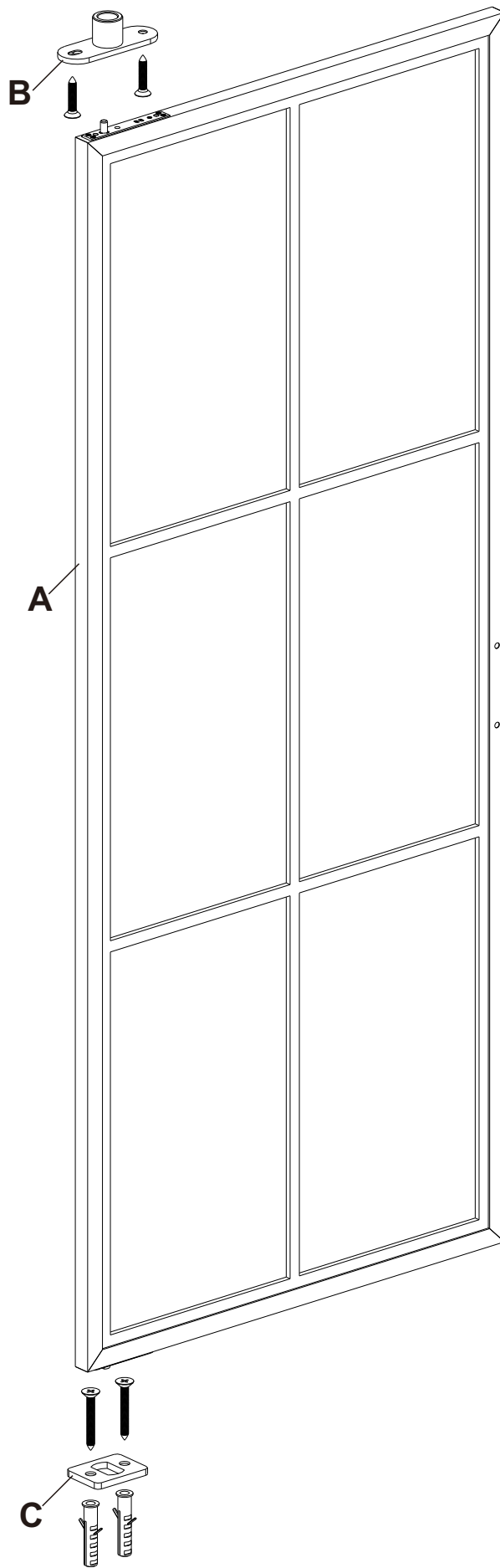


Installation Manual

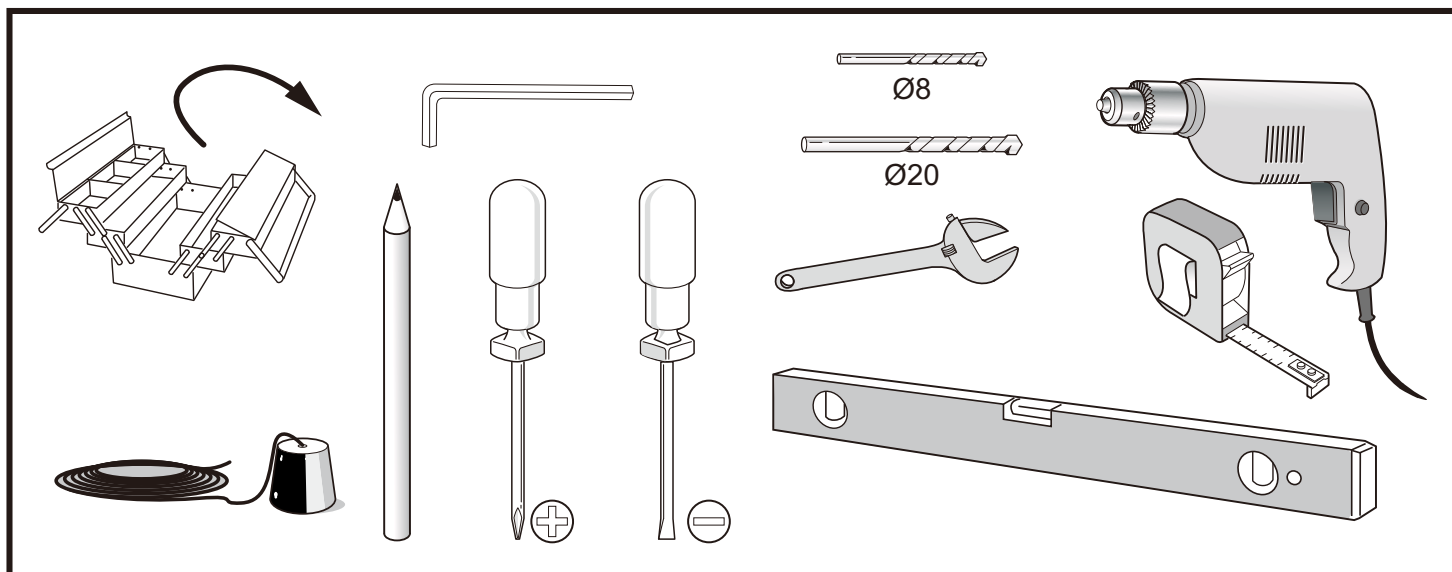


Components list

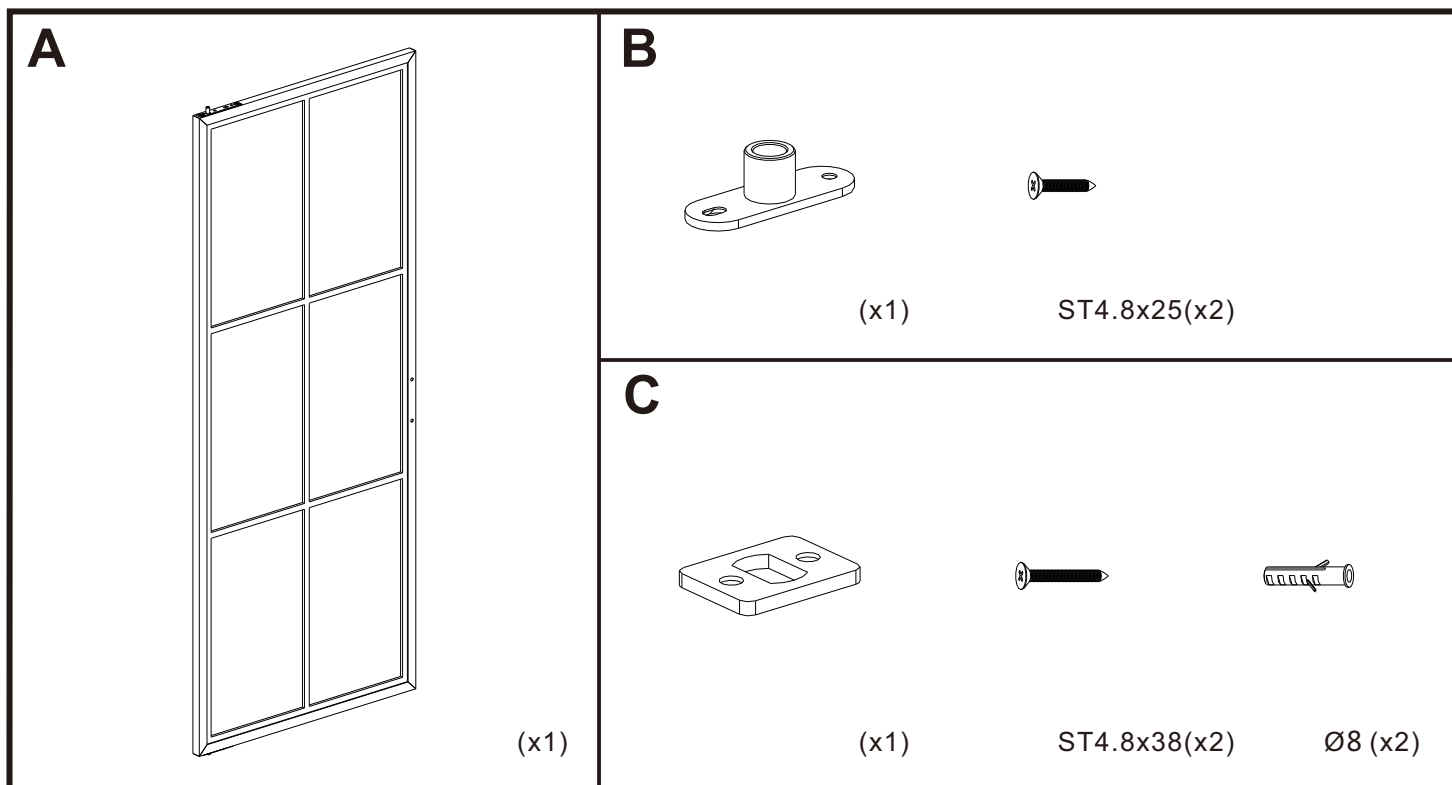


Pre-installation

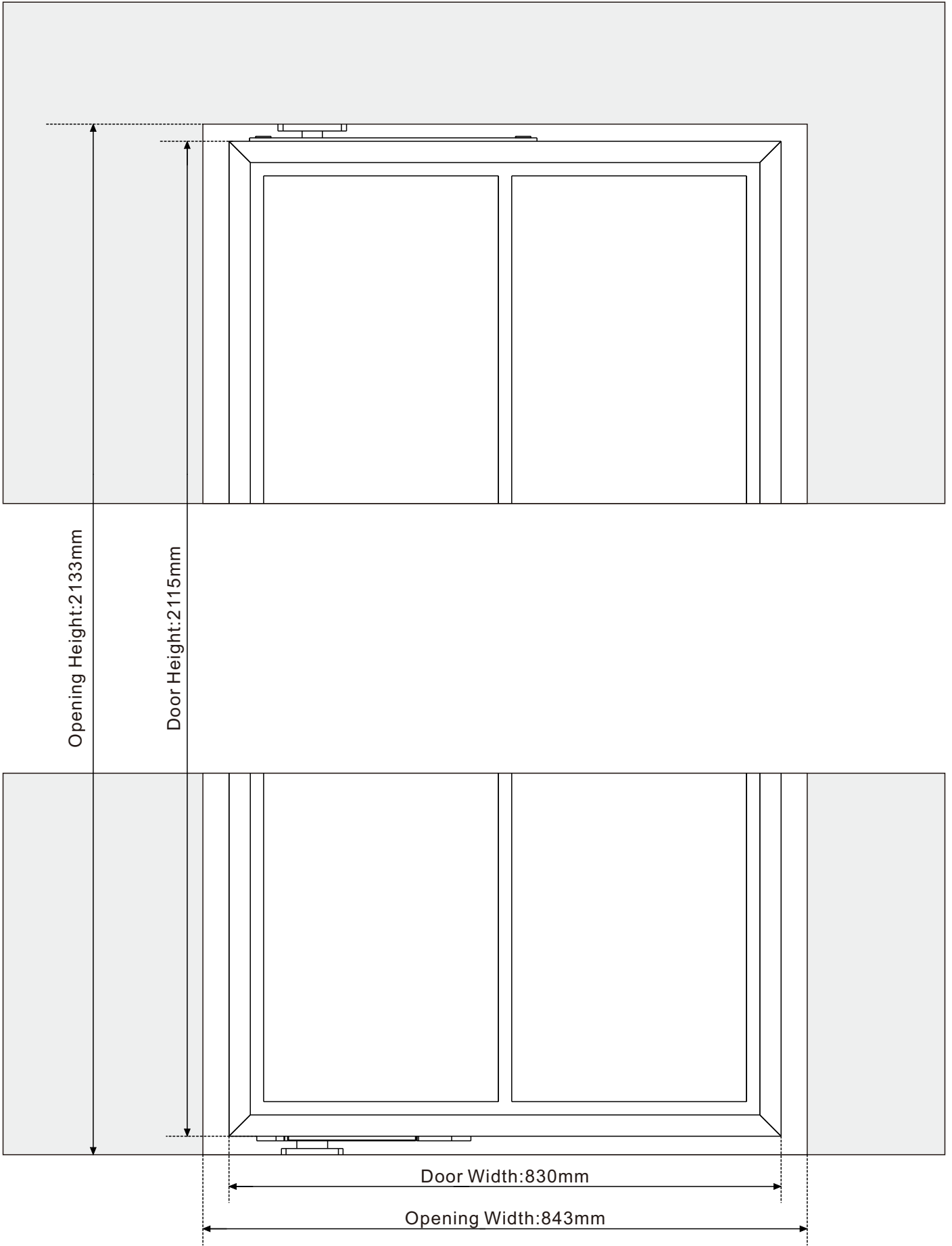
TOOLS REQUIRED



HARDWARE INCLUDED



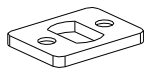
Door preparation



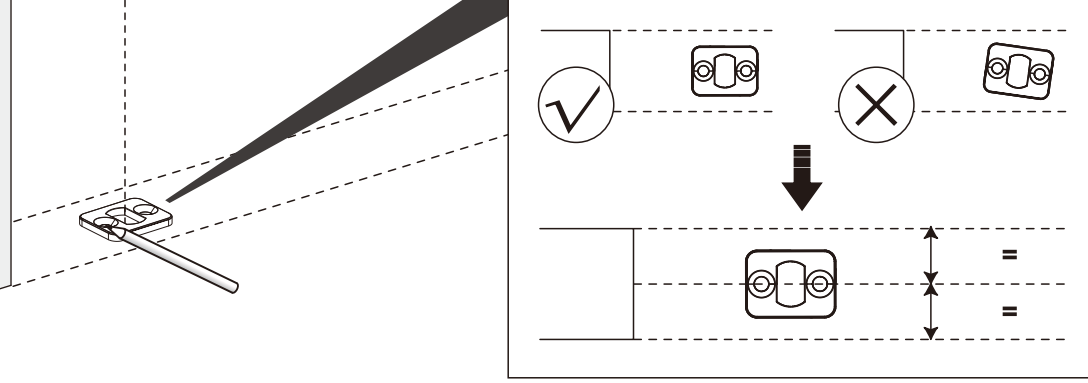
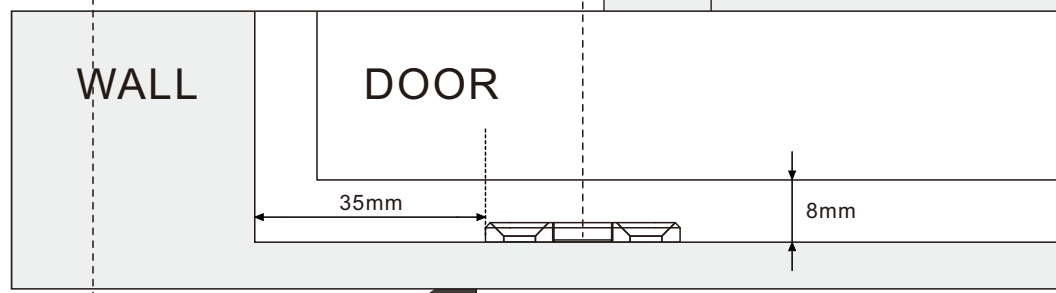
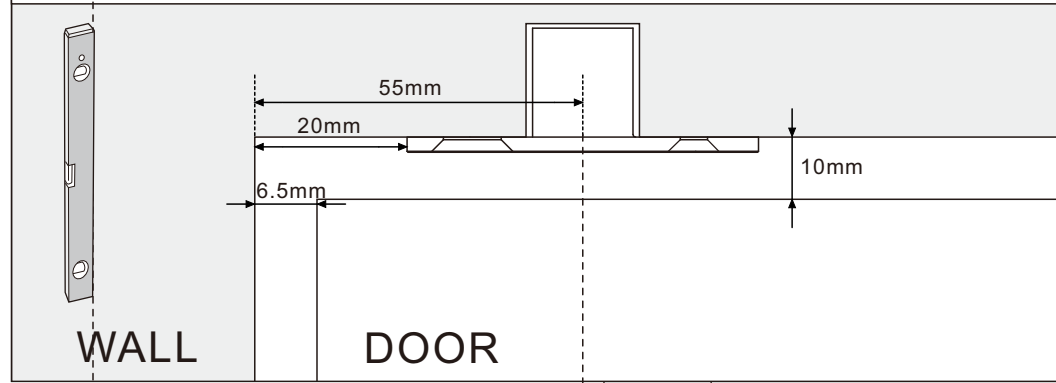
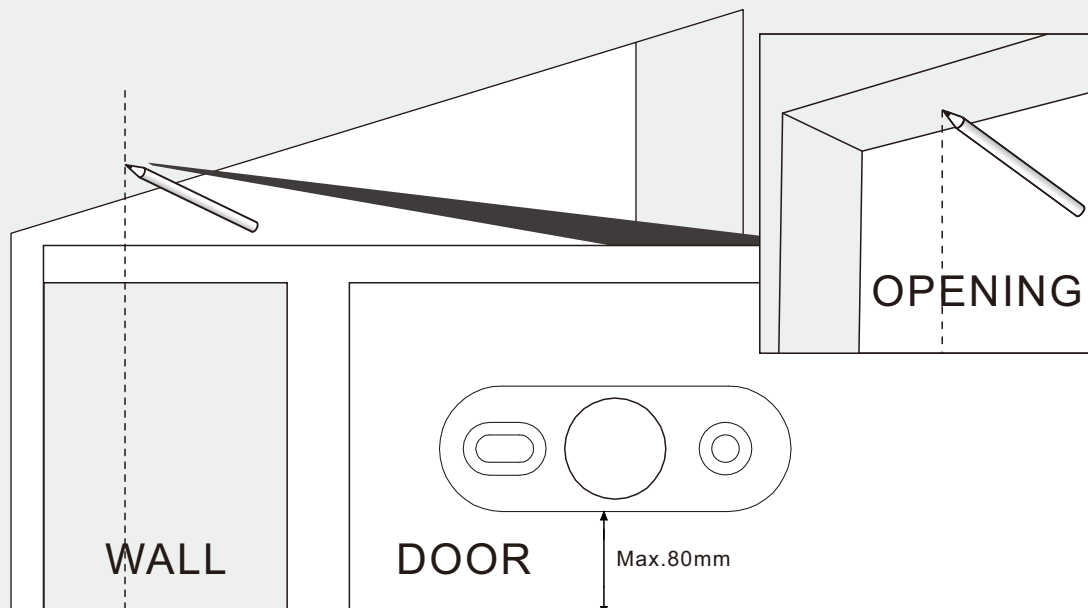
Installation

1 Mark the hole position by pencil.

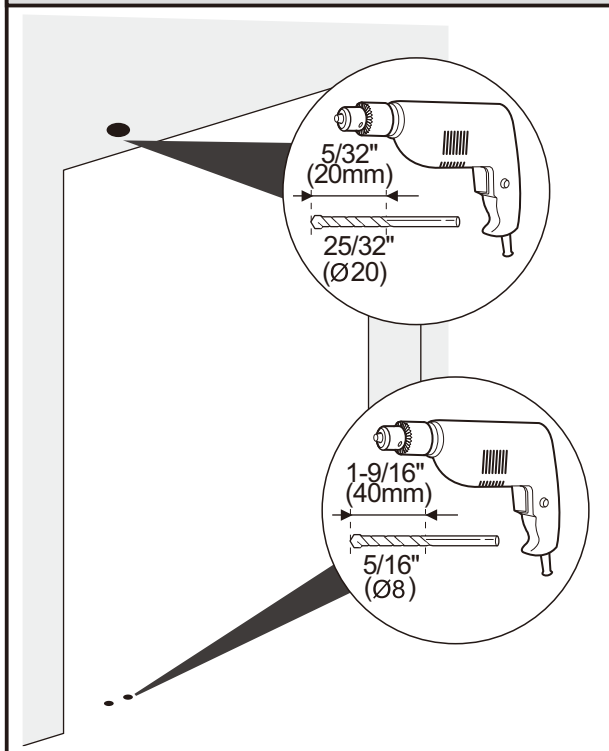
C



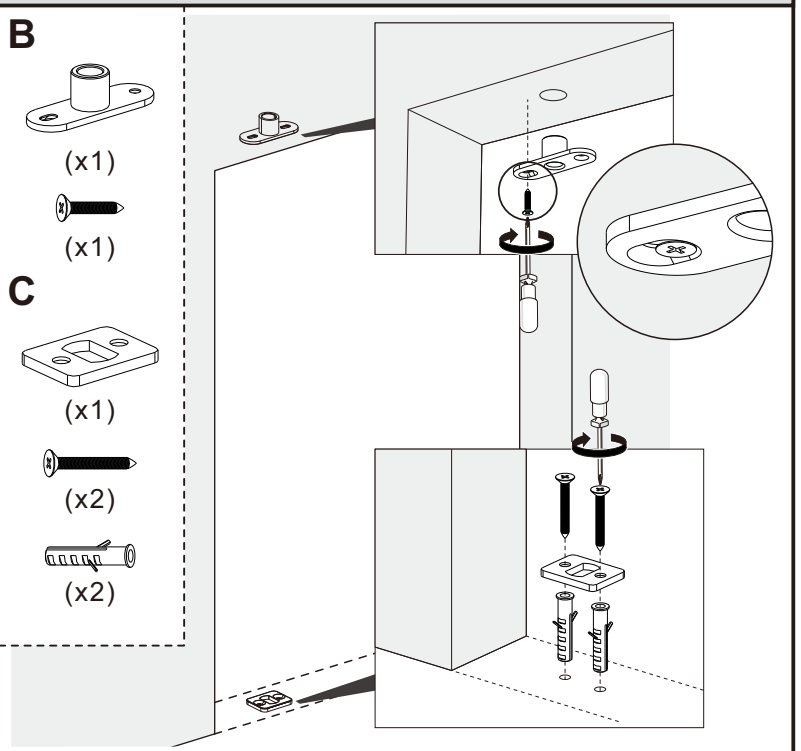
(x1)



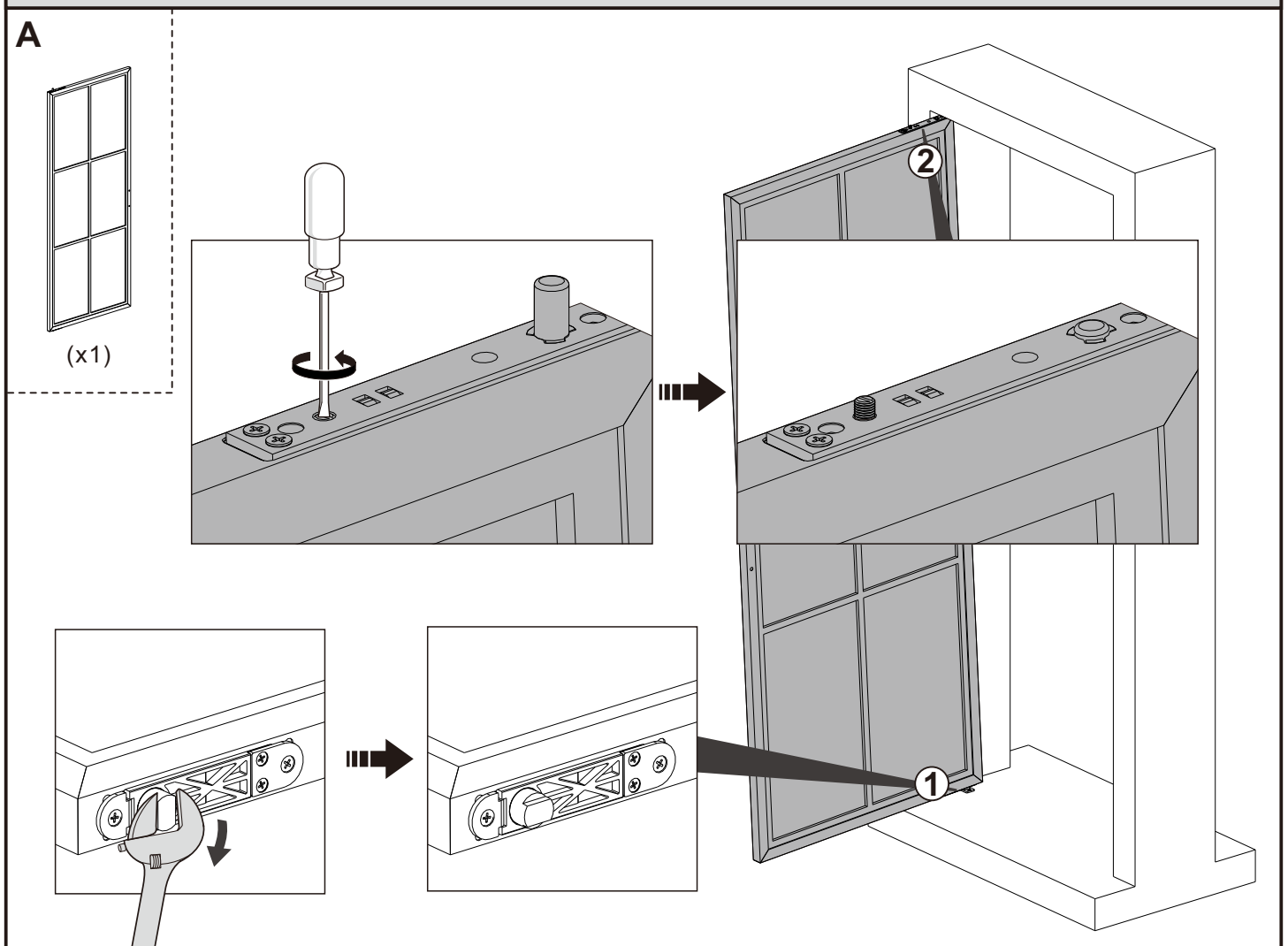
2 Drill holes.



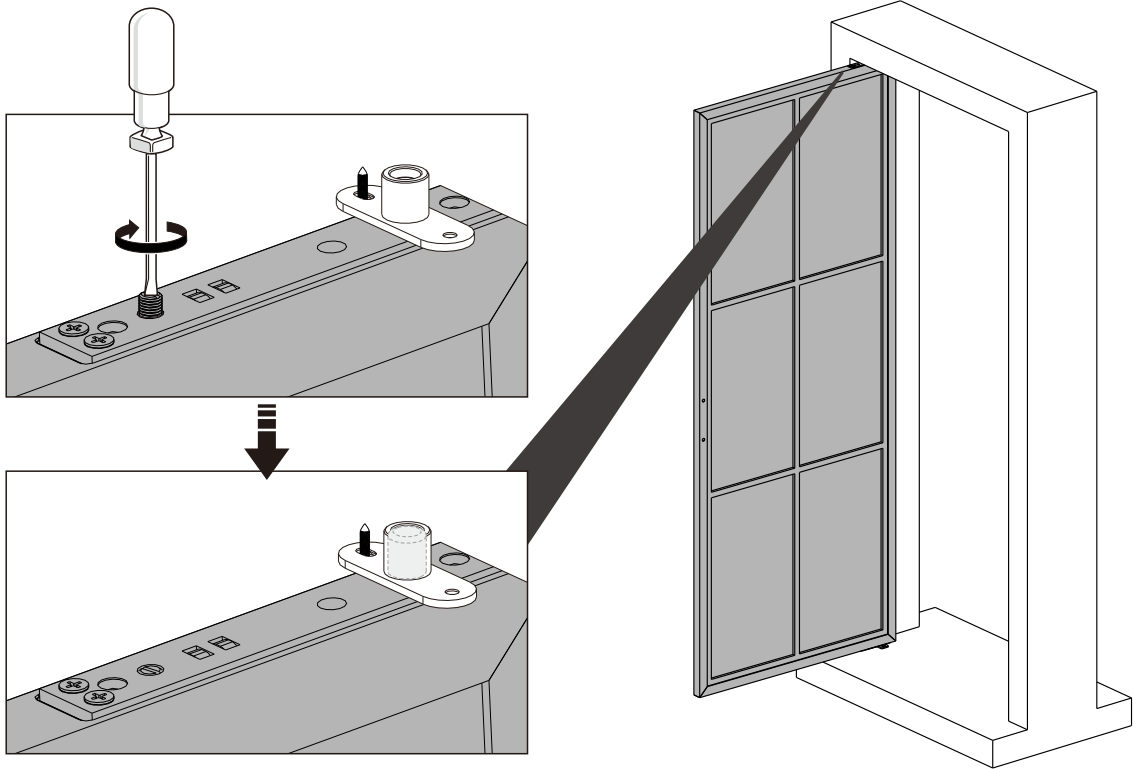
3 Fixing top pivot and bottom plate accordingly.



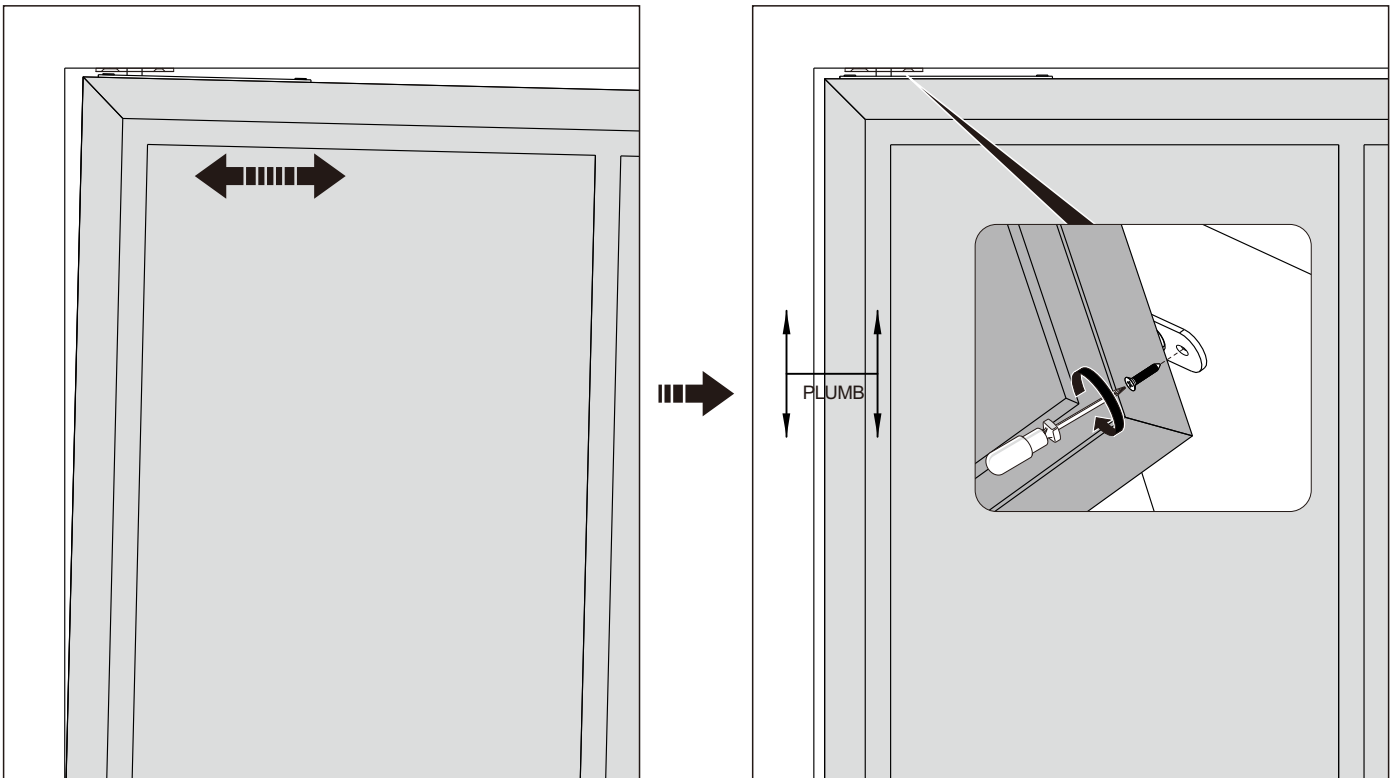
4 Loosen the screws to make pin retract.



5 Fasten the screws to make pin pot out inside the top pivot.



6 Loosen the screw in the slotted hole to ensure door is parallel with wall and fasten both screws.



7 Remove the hinge and adjust the opening and closing door force if necessary.

